



ARF-A-T

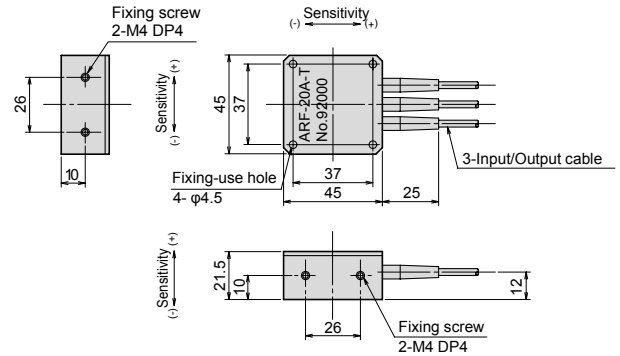
Acceleration Transducer

10 ~ 500m/s²



The ARF-A-T acceleration transducer measures acceleration in three directions (X, Y and Z) simultaneously. It is small and lightweight and can make high-accuracy measurement with the least interference.

Protection ratings : IP 61 equivalent



Specifications

Type	ARF-20A-T	ARF-50A-T	ARF-100A-T	ARF-200A-T	ARF-500A-T
No. of measurement	3				
Capacity	20m/s ²	50m/s ²	100m/s ²	200m/s ²	500m/s ²
Rated Output	0.5mV/V (1000×10 ⁻⁶ strain)				
Non-linearity	1%RO				
Frequency response	80Hz	130Hz	180Hz	310Hz	520Hz
Natural frequency	150Hz	240Hz	300Hz	520Hz	870Hz
Cross sensitivity	3%RO				
Temperature range	-10~+50°C				
Over load	300%				
Input/Output resistance	120Ω				
Recommended exciting voltage	Less than 2V				
Allowable exciting voltage	5V				
Weight	85g				

Input/output cable ø3.2mm 0.08mm² 4-core shielded vinyl cable 5m
 Input/output cable is grounded to the body.

LEADERS IN SENSORS & HEAVY DUTY JOYSTICKS

ALThERIS bv

Scheveningseweg 15
 2517 KS DEN HAAG
 The Netherlands

+31 (0)70 3924421

+31 (0)70 3644249

Offices in : Benelux | Germany | France | UK | Italy | USA

www.altheris.com

sales@altheris.nl

