



# ARK-A

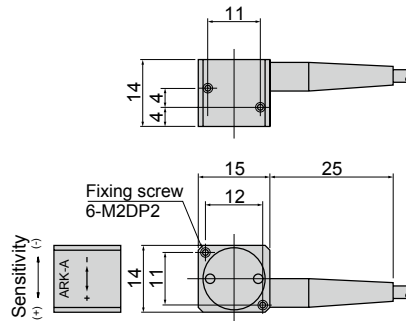
## Acceleration Transducer

1000/2000m/s<sup>2</sup>



The ARK-A acceleration transducer is highly responsive in the range of high frequencies. It is suitable for impact acceleration measurement.

Protection ratings : IP 61 equivalent



### Specifications

Type	ARK-1000A	ARK-2000A
Capacity	1000m/s <sup>2</sup>	2000m/s <sup>2</sup>
Rated Output	0.5mV/V (1000×10 <sup>-6</sup> strain)	
Non-linearity	1%RO	
Frequency response	2kHz	3kHz
Natural frequency	3kHz	4.5kHz
Temperature range	-10~+50°C	
Over load	300%	
Input/Output resistance	6~180Ω	
Recommended exciting voltage	Less than 2V	
Allowable exciting voltage	5V	
Weight	10 g	

Input/output cable : ø 3.2mm 0.08mm<sup>2</sup> 2 4-core shielded vinyl cable 5m  
 Input/output cable is grounded to the body.

LEADERS IN SENSORS & HEAVY DUTY JOYSTICKS

### ALTHERIS bv

Scheveningseweg 15  
 2517 KS DEN HAAG  
 The Netherlands

+31 (0)70 3924421

+31 (0)70 3644249

Offices in : Benelux | Germany | France | UK | Italy | USA

[www.altheris.com](http://www.altheris.com)

[sales@altheris.nl](mailto:sales@altheris.nl)

**ALTHERIS**  
 SENSORS & CONTROLS