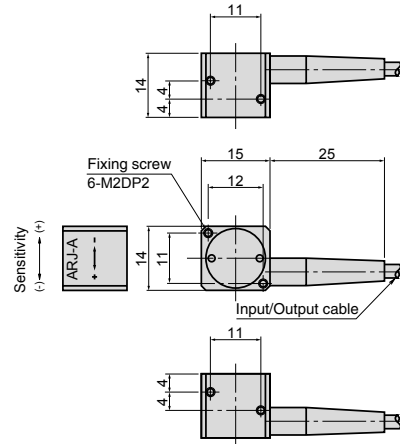




ARJ-A Acceleration Transducer

50 ~ 2000m/s²



The ARJ-A acceleration transducer is small in size and has highly responsive characteristics. It was developed to measure the acceleration of machinery, vehicles, ships, civil engineering structures, buildings, and so forth.

Protection ratings : IP 61 equivalent

Specifications

Type	ARJ-50A	ARJ-100A	ARJ-200A	ARJ-500A	ARJ-1000A	ARJ-2000A
No. of measurement	1					
Capacity	10m/s ²	20m/s ²	50m/s ²	100m/s ²	200m/s ²	500m/s ²
Rated Output	0.5mV/V (1000×10 ⁻⁶ strain)					
Non-linearity	1%RO					
Frequency response	50Hz	80Hz	130Hz	180Hz	310Hz	520Hz
Natural frequency	100Hz	150Hz	240Hz	300Hz	520Hz	870Hz
Temperature range	-10~+50°C					
Over load	300%					
Input/Output resistance	120Ω					
Recommended exciting voltage	Less than 2V					
Allowable exciting voltage	5V					
Weight	13g	12g	12g	10g	11g	11g

Input/output cable : φ3.2mm 0.08mm² 4-core shielded vinyl cable 5m
 Input/output cable is grounded to the body.

LEADERS IN SENSORS & HEAVY DUTY JOYSTICKS

ALThERIS bv

Scheveningseweg 15
 2517 KS DEN HAAG
 The Netherlands

+31 (0)70 3924421

+31 (0)70 3644249

Offices in : Benelux | Germany | France | UK | Italy | USA

www.altheris.com

sales@altheris.nl

