



PD/PE Incremental Linear Transducers

- High reading resolution (up to a 0.005 mm)
- Easy mounting method
- High protection degree (IP65)

Accurate, strong, easy to mount, and weatherproof, transducers series PD and PE are the ideal solution when you need to measure thickness or control linear displacement on any kind of industrial machine. There are three version available, each one with or without zero pulse:

PD100: reading resolution 0.01 mm
PD500: reading resolution 0.005 mm
PE050: reading resolution 0.05 mm



■ General specifications

	PD100	PD 500	PE050
Operating principle	Optoelectronic reading on glass graduated scale 2 mm thick		Optoelectronic reading on polyester film graduated scale 0.18 mm thick
Grating	20+20 micron	10 + 10 micron	100 + 100 micron
Grating accuracy	± 3micron/m		± 0.01 mm
Reading resolution	0.01 mm	0.005 mm	0.05 mm
	after the electronic quadrupling		
Reference pulses	Standard: 1 at mid-stroke or 1 each 25 mm. On request: placed according to the customer's requirements		
Measuring element material	Floatglass		Film
Thermal expansion of the measuring element	8 x 10 ⁻⁶ /°C		18 x 10 ⁻⁶ /°C

■ Mechanical specifications

	PD100	PD 500	PE050
Strokes	60 to 990 mm		
Protection degree	IP64 - IP65 for the version with O-ring		
Max speed	60 m/min.		120 m/min.
Max acceleration	40 m/sec ²		
Reference serach max speed	12 m/min.		24 m/min.
Progress strength	1 + 3		
Case	Anodised aluminium - square dimensions 31x31 mm		
Stem	Stainless steel diameter 8 mm		
Fixing	Metal clamping feet placed freely along the body or ball joints at the ends		
Operating temperature	0 ÷ 50° C		
Stocking temperature	-20 ÷ +70° C		
Dimensions	See the drawing		

■ Electrical specifications

	PD100	PD 500	PE050
Lighting signal source	LED		
Supply	10 ÷ 24 Vdc - 5 Vdc ± 5% protection against polarity reversal		
Current consumption	max. 50 mA - 90 mA for line driver output		
Output signals	2 squares waves, 90 ± 15 degree out of phase or 2 sinusoidal waves 90 ± 15 degree out of phase 1V _{pp}		2 square waves, 90 ± 15 degree out of phase
	Zero signal 90° ± 15°		
Electronic output	push-pull, open collector NPN, line driver (5 or 10/24 Vdc) Protection against short circuits		
Electrical	By connector		

Special versions

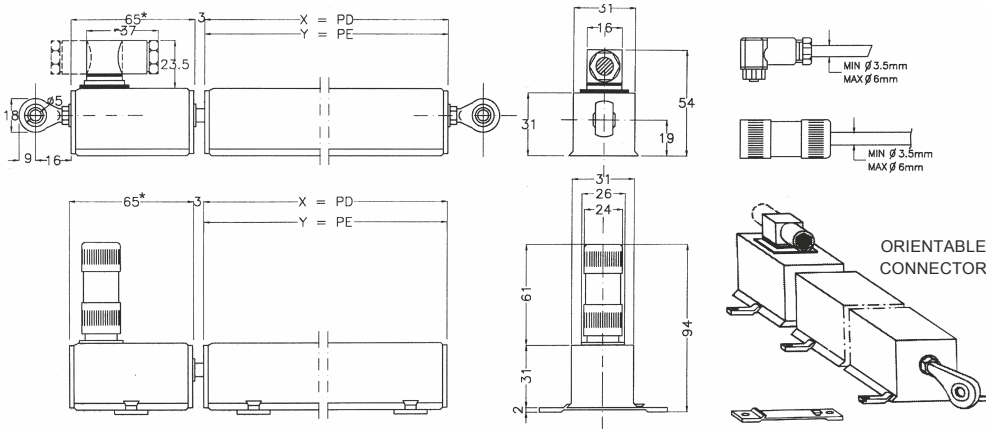
- PRESSURIZED VERSION (IP67) with connection for compressed air
- version with cable connection
- version with amplifier
- CUSTOMIZED VERSIONS ON REQUEST

■ Connector Signal

PUSH PULL OUTPUT	LINE DRIVER OUTPUT
NPN OPEN COLLECTOR OUTPUT	A signal 1
1 signal 1	B signal 1
2 signal 2	C signal 2
3 OV	D signal 2
4 +Vdc	E signal Z
5 signal Z	F signal Z
	G
	H
	J 0 Volt K
	+Vdc



■ Dimensions PD/PE Series



* versions with sinusoidal waves output: 82 mm

STROKE	X SERIES	Y SERIES	N° CLAMPINGS
60	153	137	3
120	213	197	3
170	263	247	3
200	293	277	3
220	313	297	3
255	348	332	4
280	372	357	4
360	512	497	4
380	532	517	4
440	592	577	5
520	672	657	5
580	732	717	5
650	813	787	6
750	913	887	7
990	1153	1127	7

variations admitted without notice

ALTHERIS bv

Scheveningseweg 15
2517 KS DEN HAAG
The Netherlands

+31 (0)70 3924421

+31 (0)70 3644249

Offices in : Benelux | Germany | France | UK | Italy | USA

www.altheris.com

sales@altheris.nl

LEADERS IN SENSORS & HEAVY DUTY JOYSTICKS

ALTHERIS
SENSORS & CONTROLS