



## FD115 analogue Draw-wire sensor

- Robust aluminium profile housing
- Customized versions for OEM
- Potentiometer, current and voltage output

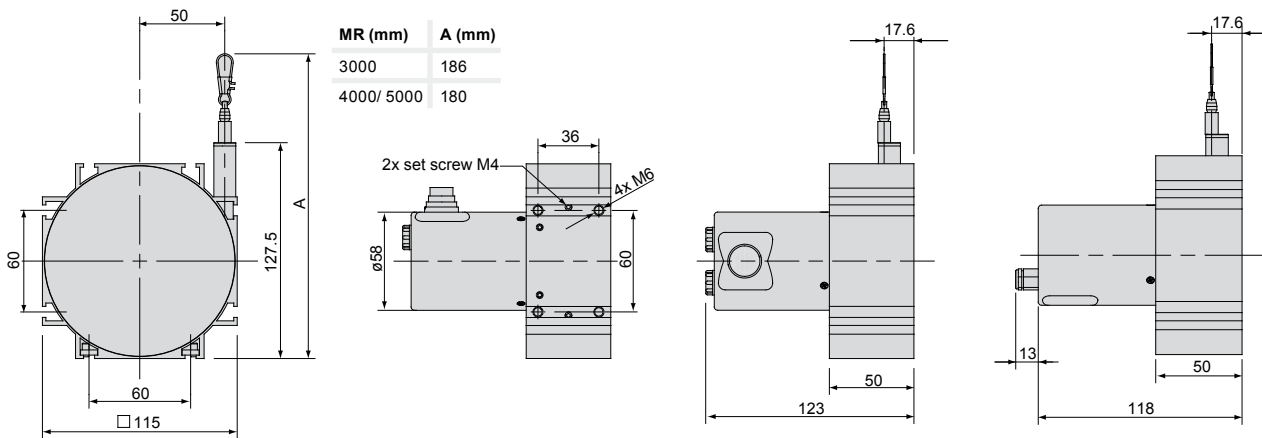
Draw wire sensors of the FD115 Series are designed for general use. Numerous options enable a suitable sensor to be selected for almost any application. The analogue series is extremely compact and provides many different measuring ranges. The series has an attractive price/performance ratio based on state of the art technology.



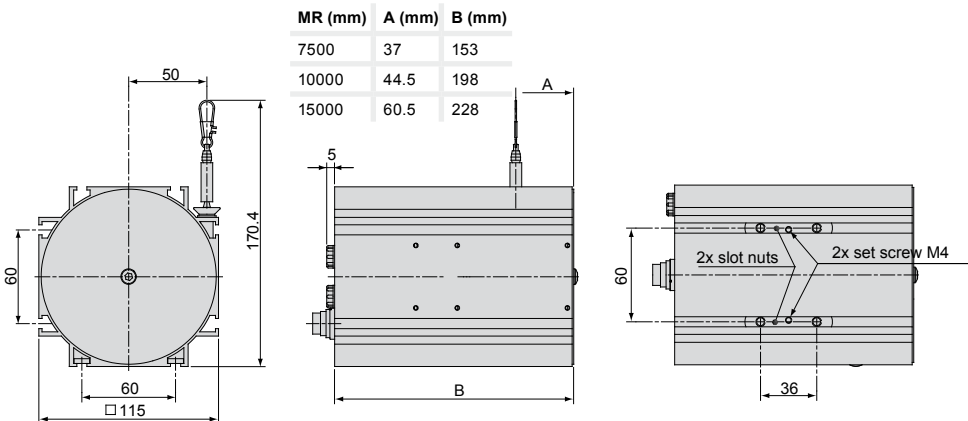
**FD115 (Measuring range 3000/4000/5000mm)**

**Output UI**

**Output P**



**FD115 (Measuring ranges 7500/10000/15000mm)**



## ■ Technical data

Model		FD115-3000	FD115-4000	FD115-5000	FD115-7500	FD115-10000	FD115-15000
Measuring range		3000mm	4000mm	5000mm	7500mm	10000mm	15000mm
Output		P/U/I					
Linearity	±0.1% FSO	±3mm	-	-	-	-	-
	±0.15% FSO	-	±6mm	±7.5mm	±11.3mm	±15mm	±22.5mm
Resolution		quasi infinite					
Sensor element		hybrid potentiometer					
Temperature range		-20 ... +80°C					
Material	housing	aluminium					
	draw wire	coated polyamid stainless steel (ø 0.45mm)			coated polyamid stainless steel (ø 1.0mm)		
Sensor mounting		slot nut					
Wire mounting		wire clip					
Wire acceleration		appr. 6g					
Wire retraction force (min)		4.5N	4N	4N	8N	8N	8N
Wire extension force (max)		8N	8.5N	9N	24N	21N	25N
Protection class		IP 65 (only if connected)					
Vibration		20g, 20Hz - 2kHz					
Mechanical shock		50g, 20ms					
Electrical connection	P	integrated cable, axial, 1m long					
	U/I	flange connector, radial, 8-pin, DIN45326					
Weight		appr. 1.1kg			2.2kg	3.2kg	3.5kg

FSO = Full Scale Output

## ■ Ordering code

**FD115 - 3000 - CA - P**

P: potentiometer Connection CA: FD115-3000/4000/5000  
 Connection SA: FD115-7500/10000/15000

U: voltage Connection SR: FD115-3000/4000/5000  
 Connection SA: FD115-7500/10000/15000

I: current Connection SR: FD115-3000/4000/5000  
 Connection SA: FD115-7500/10000/15000

Connection:  
 SR: radial plug  
 SA: axial plug  
 CA: integrated cable, axial, 1m

Measuring range in mm

Model FD115

LEADERS IN SENSORS & HEAVY DUTY JOYSTICKS

**ALTHERIS bv**

Scheveningseweg 15  
 2517 KS DEN HAAG  
 The Netherlands

+31 (0)70 3924421

+31 (0)70 3644249

Offices in : Benelux | Germany | France | UK | Italy | USA

www.altheris.com

sales@altheris.nl

**ALTHERIS**  
 SENSORS & CONTROLS