



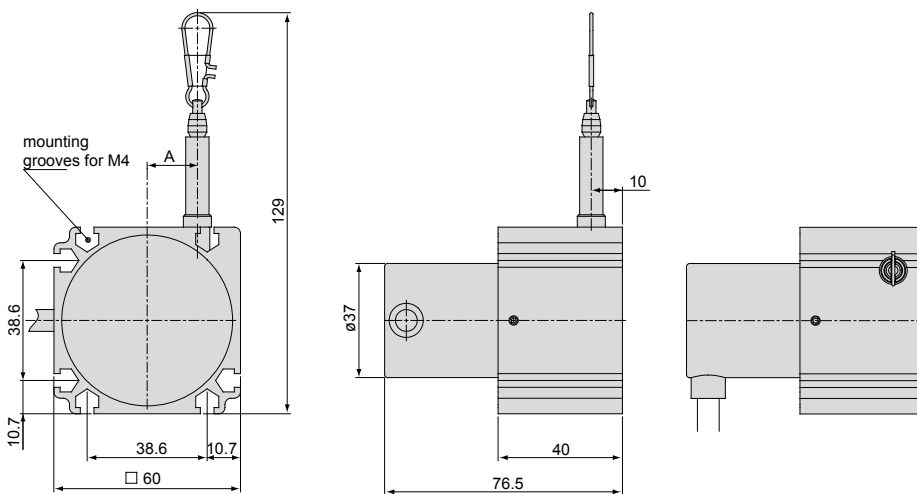
FD60 analogue Draw-wire sensor

- Robust aluminium profile housing
- Customized versions for OEM
- Potentiometer, current and voltage output

Draw wire sensors of the FD60 Series are designed for general use. Numerous options enable a suitable sensor to be selected for almost any application. Various analogue outputs and measuring ranges make many applications possible.

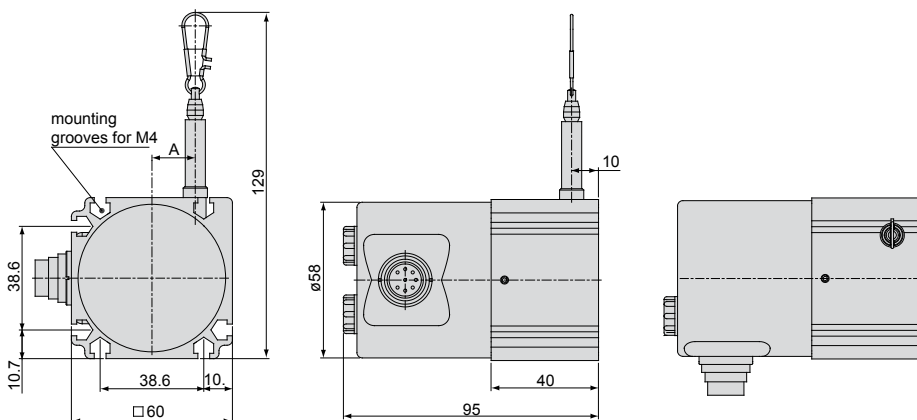


FD60 Output P



Measuring range (mm)	A (mm)
100/ 300 / 500 / 1000	16.15
150/ 750 / 1500	24.2

FD60 Output U/I



Measuring range (mm)	A (mm)
100/ 300 / 500 / 1000	16.15
150/ 750 / 1500	24.2

■ Technical data

Model		FD60 - 100	FD60 - 150	FD60 - 300	FD60 - 500	FD60 - 750	FD60 - 1000	FD60 - 1500	
Output		P/U/I							
Measuring range	mm	100	150	300	500	750	1000	1500	
Linear	±0.1%FSO	±mm	-	-	-	0.5	0.75	1	1.5
	±0.25% FSO	±mm	-	-	0.75	-	-	-	-
	±0.5% FSO	±mm	0.5	0.75	-	-	-	-	-
Resolution		quasi infinite							
Sensor element		conductive plastic/wire potentiometer			hybrid potentiometer				
Temperature range		-20 ... +80°C							
Material	housing	aluminium							
	draw wire	coated polyamid stainless steel (ø0.45mm)							
Sensor mounting		mounting grooves in the housing							
Wire mounting		wire clip							
Wire acceleration		appr. 10 - 15g (dependent upon measuring range)							
Wire retraction force (min)	N	6.5	4.5	6	6	4	5	3.5	
Wire extension force (max)	N	7.5	5.5	7.5	7.5	5.5	7.5	5.5	
Protection class		IP 65 (only if connected)							
Vibration		20g, 20Hz - 2kHz							
Mechanical shock		50g, 10ms							
Electrical connection	P	integrated cable, radial, 1m long							
	U/I	flange connector, radial, 8-pin, DIN45326							
Weight		appr. 370g							

FSO = Full Scale Output

■ Ordering code

FD60 - 100 - CR - P

Output option:
P: potentiometer (connection CR)
U: voltage (with connection SR)
I: current (with connection SR)

Connection:
SR: radial plug
CR: integrated cable, radial, 1m

Measuring range in mm

Model FD60

LEADERS IN SENSORS & HEAVY DUTY JOYSTICKS

ALTHERIS bv

Scheveningseweg 15
2517 KS DEN HAAG
The Netherlands

+31 (0)70 3924421

+31 (0)70 3644249

Offices in : Benelux | Germany | France | UK | Italy | USA

www.altheris.com

sales@altheris.nl

ALTHERIS
SENSORS & CONTROLS