



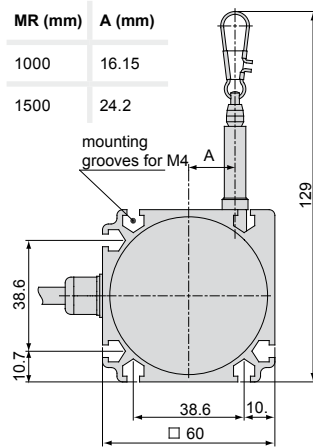
FD60 digital Draw-wire sensor

- Robust aluminium profile housing
- Customized versions for OEM
- Incremental/absolute encoder

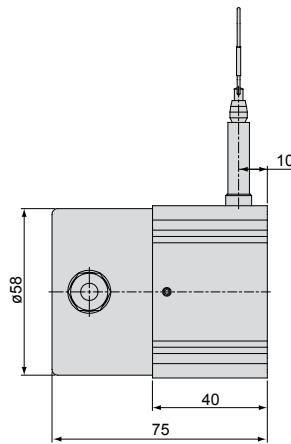
Draw wire sensors of the FD60 Series are designed for general use. Numerous options enable a suitable sensor to be selected for almost any application. Various measuring ranges and digital output types facilitate fast integration for many application areas.



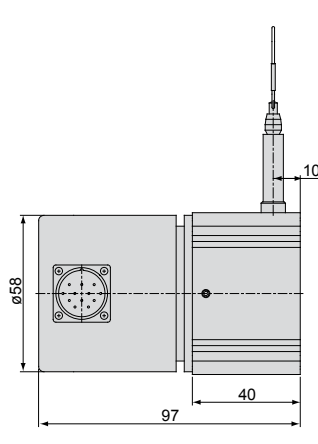
FD60



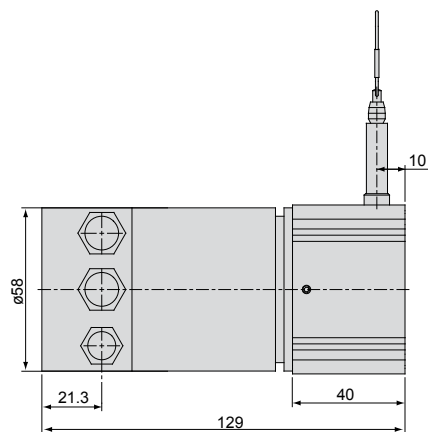
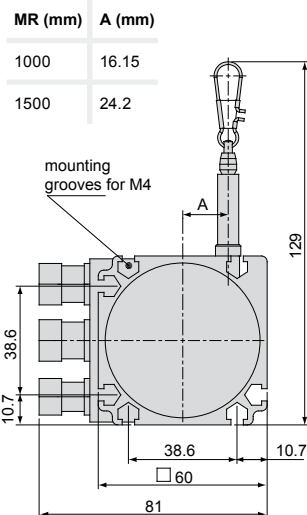
Output



Output



FD60 Output CO/PB



■ Technical data

Model		FD60-1000	FD60-1500
Output		HTL/ TTL/ PB/ CO/ SSI	
Measuring range		1000mm	1500mm
Linearity	±0.02% FSO	±0.2mm	±0.3mm
Resolution	HTL, TTL	0.067mm (15 Pulses/mm)	0.1mm(10 Pulses/mm)
	SSI, PB, CO	0.024mm	0.03mm
Sensor element		incremental encoder	
Temperature range		-20 ... +80°C	
Material	housing	aluminium	
	draw wire	coated polyamid stainless steel (ø 0.45mm)	
Sensormontage		mounting grooves in the housing	
Wire mounting		wire clip	
Wire acceleration		10g	15g
Wire retraction force (min)		5N	3.5N
Wire extension force (max)		7.5N	5.5N
Protection class		IP 65 (only if connected)	
Vibration		20g, 20Hz - 2kHz	
Mechanical shock		50g, 10ms	
Electrical connection	HTL/TTL	integrated cable, radial, 1m long	
	SSI	flange connector, radial, 12-pin	
	PB/CO	bus cover	
Weight		appr. 1kg	

FSO = Full Scale Output

■ Ordering code

FD60 - 1000 - CR - TTL

Output option:
HTL
TTL
CO: CANopen
PB: Profibus DP
SSI

Connection:
SR (Output SSI): radial plug
CR (Output HTL, TTL): integrated cable, radial, 1m
BH (Output CO, PB): bus cover

Measuring range in mm

Model FD60

LEADERS IN SENSORS & HEAVY DUTY JOYSTICKS

ALThERIS bv

Scheveningseweg 15
2517 KS DEN HAAG
The Netherlands

+31 (0)70 3924421

+31 (0)70 3644249

Offices in : Benelux | Germany | France | UK | Italy | USA

www.altheris.com

sales@altheris.nl

ALThERIS
SENSORS & CONTROLS