



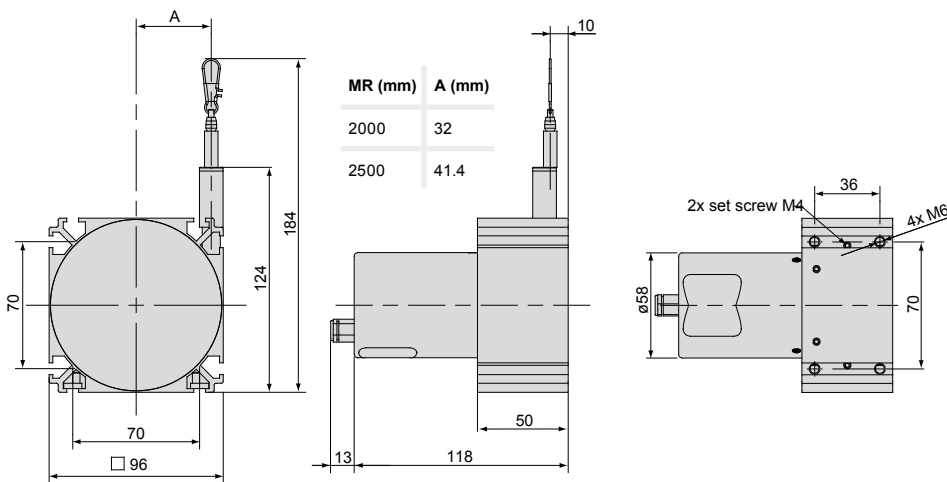
FD96 analogue Draw-wire sensor

- Robust aluminium profile housing
- Customized versions for OEM
- Potentiometer, current and voltage output

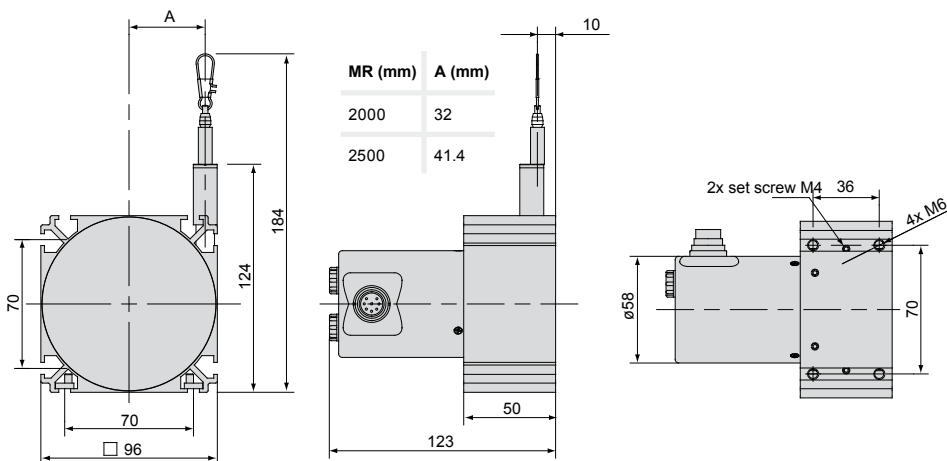
Draw wire sensors of the FD96 Series are designed for general use. Numerous options enable a suitable sensor to be selected for almost any application. Various analogue outputs and measuring ranges make many applications possible.



FD96 Output P



FD96 Output U/I



■ Technical data

Model		FD96-2000	FD96-2500
Output			P/U/I
Measuring range	mm	2000	2500
Linearity	±0.1% FSO ±mm	2.0	2.5
Resolution			quasi infinite
Sensor element			hybrid potentiometer
Temperature range			-20 ... +80°C
Material	housing		aluminium
	draw wire		∅ 0.8mm
Sensor mounting			slot nuts
Wire mounting			wire clip
Wire acceleration			8g
Wire retraction force (min)		7.5N	5.5N
Wire extension force (max)		11N	9N
Protection class			IP 65 (only if connected)
Vibration			20g, 20Hz - 2kHz
Mechanical shock			50g, 10ms
Electrical connection	P		integrated cable, radial, 1m long
	U/I		flange connector, axial, 8-pin DIN45326
Weight			appr. 1.1kg

FSO = Full Scale Output

■ Ordering code

FD96 - 2000 - CA - P

Output option:
 P: potentiometer (with connection CA)
 U: voltage (with connection SR)
 I: current (with connection SR)

Connection:
 SR: radial plug
 CR: integrated cable, radial, 1m

Measuring range in mm

Model FD96

LEADERS IN SENSORS & HEAVY DUTY JOYSTICKS

ALTHERIS bv

Scheveningseweg 15
 2517 KS DEN HAAG
 The Netherlands

+31 (0)70 3924421

+31 (0)70 3644249

Offices in : Benelux | Germany | France | UK | Italy | USA

www.altheris.com

sales@altheris.nl

ALTHERIS
 SENSORS & CONTROLS