



FD96 digital Draw-wire sensor

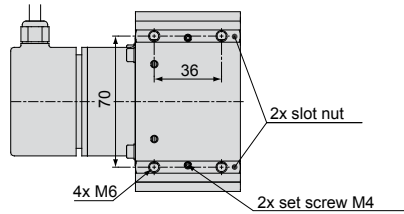
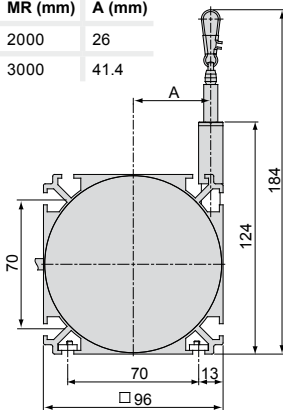
- Robust aluminium profile housing
- Incremental/absolute encoder

Draw wire sensors of the FD96 Series are designed for general use. Numerous options enable a suitable sensor to be selected for almost any application. Various measuring ranges and digital output types facilitate fast integration for many application areas.

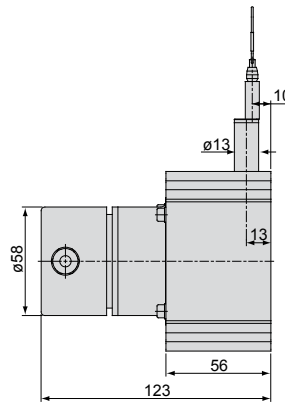


FD96

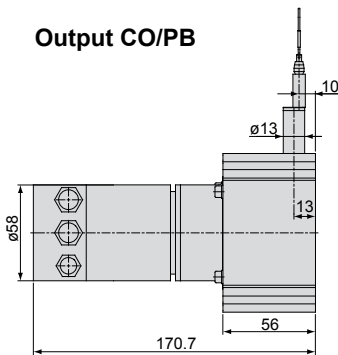
MR (mm)	A (mm)
2000	26
3000	41.4



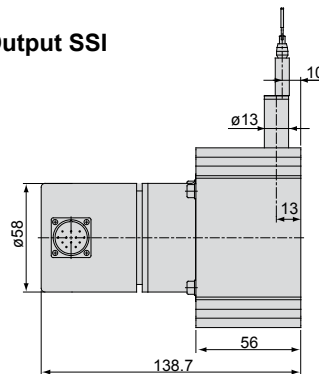
Output HTL/TTL



Output CO/PB



Output SSI



■ Technical data

Model	FD96-3000	
Output	HTL/ TTL/ SSI/ PB/ CO	
Measuring range	3000mm	
Linearity	±0.02% FSO	±0.6mm
Resolution	HTL, TTL	0.087mm (11.53 pulses/mm)
Resolution	SSI, PB, CO	0.032mm
Sensor element	Incremental/absolute encoder	
Temperature range	-20 ... +80°C	
Material	housing	aluminium
	draw wire	coated polyamid stainless steel (ø 0.8mm)
Sensor mounting	slot nuts	
Wire mounting	wire clip	
Wire acceleration	7g	
Wire retraction force (min)	5.5N	
Wire extension force (max)	9N	
Protection class	IP 65 (only if connected)	
Vibration	20g, 20Hz - 2kHz	
Mechanical shock	50g, 10ms	
Electrical connection	HTL, TTL	integrated cable, radial, 1m long
	SSI	flange connector, radial, 12-pin
	PB, CO	bus cover
Weight	appr. 1.7kg	

FSO = Full Scale Output

■ Ordering code

FD96 - 3000 - CR - TTL

Output option:
HTL
TTL
CO: CANopen
PB: Profibus DP
DP SSI

Connection:
SR (Output SSI): radial plug
CR (Output HTL, TTL): integrated cable, radial, 1m
BH (Output CO, PB): bus cover

Measuring range in mm

Model FD96

LEADERS IN SENSORS & HEAVY DUTY JOYSTICKS

ALThERIS bv

Scheveningseweg 15
2517 KS DEN HAAG
The Netherlands

+31 (0)70 3924421

+31 (0)70 3644249

Offices in : Benelux | Germany | France | UK | Italy | USA

www.altheris.com

sales@altheris.nl

ALThERIS
SENSORS & CONTROLS