



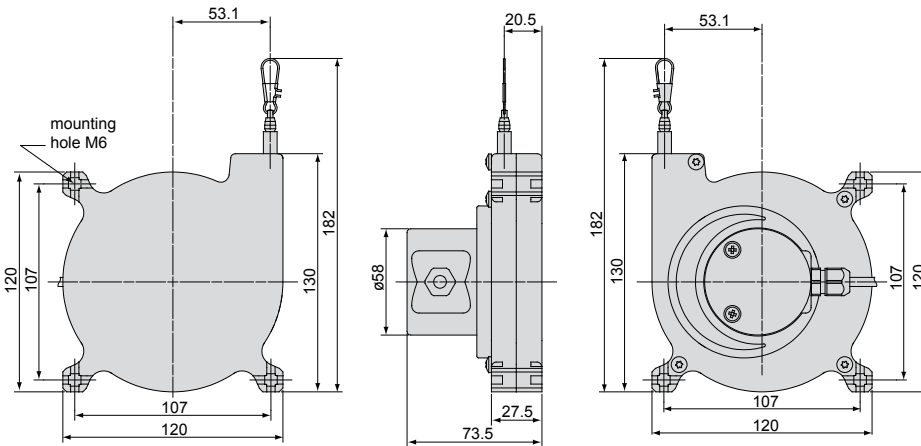
FDMK120 analog Draw-wire sensor

- Robust plastic housing
- Customized versions for OEM
- Potentiometer, current and voltage output

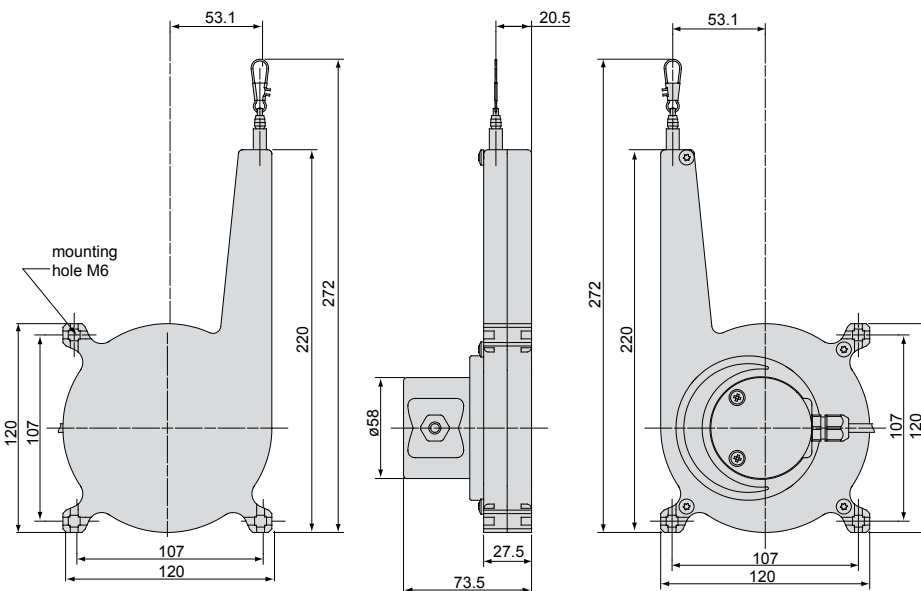
The miniature draw-wire sensors of the FDMK series are specially designed for use in high-volume production. Due to the favorable price and the compact size of the sensor, new potential designs and cost optimization are the benefits to the user.



FDMK120 (Measuring range 3000, 5000mm)



FDMK120 (Measuring range 7500mm)



■ Technical data

| Model | FDMK120-3000 | FDMK120-5000 | FDMK120-7500 | |
|-----------------------------|-------------------------------------|---------------|--------------|----------|
| Output | P/U/I | | | |
| Measuring range | 3000mm | 5000mm | 7500mm | |
| Linearity | ±0.15% FSO | ±4.5mm | ±7.5mm | ±11.25mm |
| Resolution | quasi infinite | | | |
| Temperature range | -20 to 80°C | | | |
| Material | housing | plastic PA6 | | |
| | draw wire | 0.45mm coated | | |
| Wire mounting | wire clip | | | |
| Wire acceleration | 2.5g | | 1.5g | |
| Wire retraction force (min) | 5.5N | 5N | 7N | |
| Wire retraction force (max) | 8N | | 13N | |
| Electrical connection | integrated cable, radial, 1m length | | | |
| Protection class | IP 65 | | | |
| Weight | 0.75kg | | 0.9kg | |

FSO = Full Scale Output

■ Ordering code

FDMK120 - 3000 - CR - P

Output option:
P: potentiometer
U: voltage
I: current

Connection CR: integrated cable, radial, 1m

Measuring range in mm

FDMK120

LEADERS IN SENSORS & HEAVY DUTY JOYSTICKS

ALTHERIS bv

Scheveningseweg 15
2517 KS DEN HAAG
The Netherlands

+31 (0)70 3924421

+31 (0)70 3644249

Offices in : Benelux | Germany | France | UK | Italy | USA

www.altheris.com

sales@altheris.nl

ALTHERIS
SENSORS & CONTROLS