



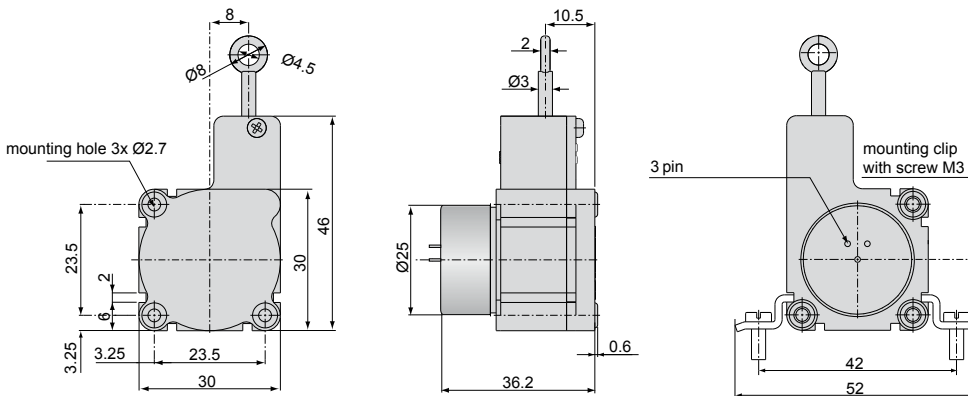
FDMK30 analog Draw-wire sensor

- Robust plastic housing
- Customized versions for OEM
- Conductive plastic/wire/hybrid potentiometer
- Smallest design in its class

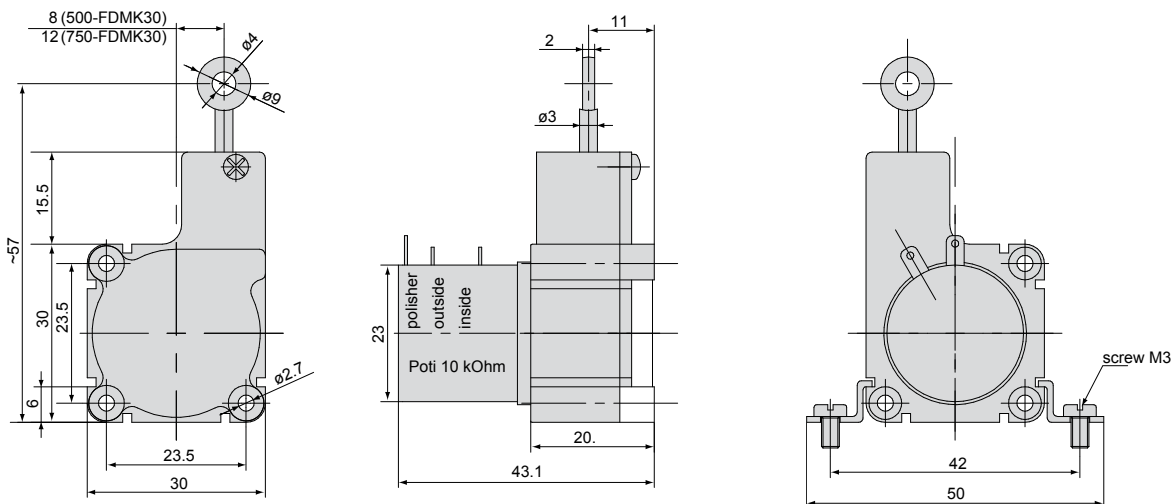
The miniature draw-wire sensors of the FDMK series are specially designed for use in high-volume production. Due to the favourable price and the compact size of the sensor, new potential designs and cost optimization are the benefits to the user.



FDMK30-P (Measuring range 50mm)



FDMK30-P (Measuring range 150/250/500/750/1000/1250mm)



■ Technical data

Model		FDMK30-50	FDMK30-150	FDMK30-250	FDMK30-500	FDMK30-750
Output		P				
Measuring range		50mm	150mm	250mm	500mm	750mm
Linearity	conductive plastic pot. P50	±0.5% FSO	0.25mm	-	-	-
	wire pot. P25	±0.25% FSO	-	-	0.625mm	1.25mm
	hybrid pot. P25	±0.25% FSO	-	0.375mm	-	-
	hybrid pot. P10	±0.1% FSO	-	-	0.25mm	0.5mm
Resolution	conductive plastic pot.		quasi infinite			
	wire pot.		-	0.1mm	0.1mm	0.15mm
	conductive plastic pot./hybrid pot.		quasi infinite			
Sensor element		conductive plastic/wire/hybrid potentiometer				
Temperature range		-20 ... +80°C				
Material	housing		plastic			
	draw wire		coated polyamid stainless steel (ø0.36mm)			
Wire mounting		eyelet				
Sensor mounting		mounting holes / mounting grooves				
Wire acceleration		appr. 5g				
Wire retraction force (min)		appr. 1N				
Wire extension force (max)		appr. 2.5N				
Protection class		IP 20				
Electrical connection		soldering tag				
Weight		appr. 45g				

FSO = Full Scale Output

■ Ordering code

FDMK30 - 50 - P25

Output option:
 potentiometer P50 (linearity ±0.5 % FSO)
 potentiometer P25 (linearity ±0.25 % FSO)
 potentiometer P10 (linearity ±0.1 % FSO)

Measuring range in mm

Model FDMK30

LEADERS IN SENSORS & HEAVY DUTY JOYSTICKS

ALThERIS bv

Scheveningseweg 15
 2517 KS DEN HAAG
 The Netherlands

+31 (0)70 3924421

+31 (0)70 3644249

Offices in : Benelux | Germany | France | UK | Italy | USA

www.altheris.com

sales@altheris.nl

ALThERIS
 SENSORS & CONTROLS