



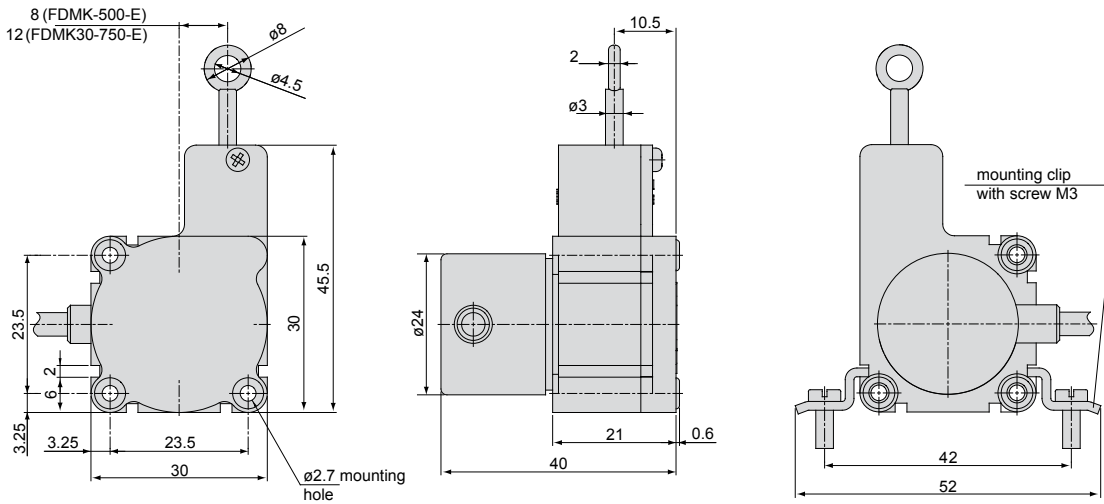
## FDMK30 digital Draw-wire sensor

- Robust plastic housing
- Customized versions for OEM
- Smallest design in its class
- Incremental encoder

The miniature draw-wire sensors of the FDMK series are specially designed for use in high-volume production. Due to the favorable price and the compact size of the sensor, new potential designs and cost optimization are the benefits to the user.



### FDMK30



## ■ Technical data

Model	FDMK30-500	FDMK30-750
Output	E/E830	E/E830
Measuring range	500mm	750mm
Linearity E	±0.05% FSO	0.375mm
Resolution	10 Pulses/mm	6.7 Pulses/mm
	0.1mm	0.15mm
Sensor element	Incremental encoder	
Temperature range	-20 ... +80°C	
Material	housing	plastic
	draw wire	coated polyamid stainless steel (ø 0.36mm)
Wire mounting	eyelet	
Sensor mounting	mounting holes / mounting grooves	
Wire acceleration	appr. 5g	
Wire retraction force (min)	appr. 1N	
Wire extension force (max)	appr. 2.5N	
Protection class	IP54	
Electrical connection	cable radial, 1m	
Weight	ca. 80g	

FSO = Full Scale Output

## ■ Ordering code

**FDMK30 - 500 - E830**

Output option:  
encoder E (5 ... 24VDC)  
encoder E830 (8 ... 30VDC)

Measuring range in mm

Model FDMK30

LEADERS IN SENSORS & HEAVY DUTY JOYSTICKS

### ALThERIS bv

Scheveningseweg 15  
2517 KS DEN HAAG  
The Netherlands

+31 (0)70 3924421

+31 (0)70 3644249

Offices in : Benelux | Germany | France | UK | Italy | USA

www.altheris.com

sales@altheris.nl

**ALThERIS**  
SENSORS & CONTROLS