



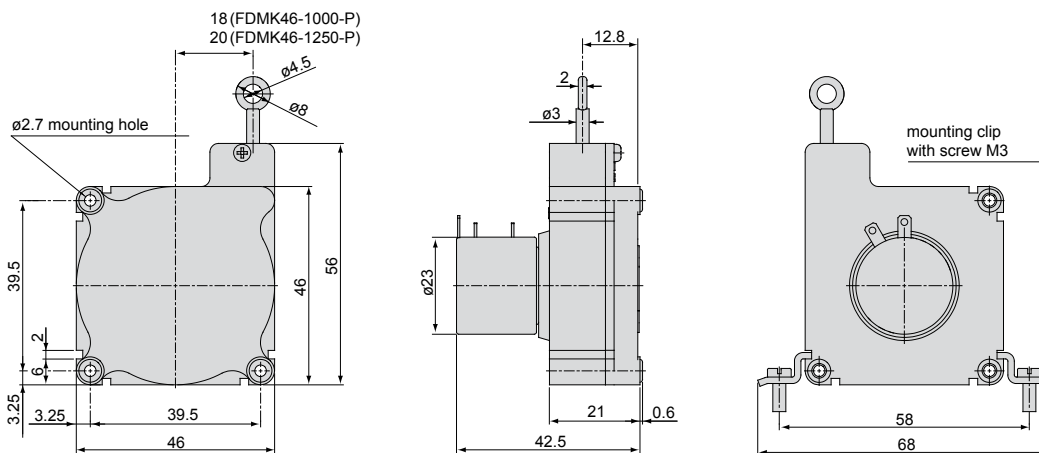
FDMK46 analog Draw-wire sensor

- Robust plastic housing
- Customized versions for OEM
- Wire/hybrid potentiometer

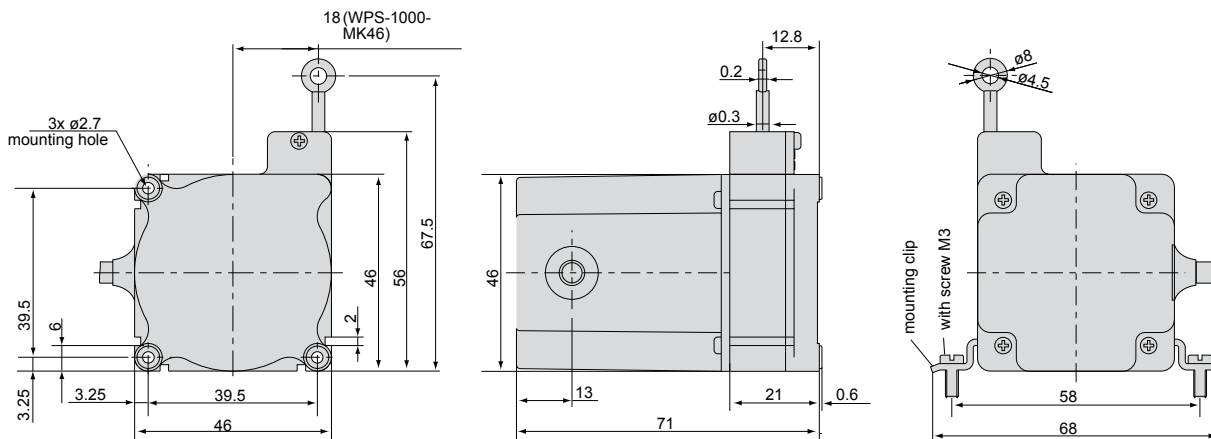
The miniature draw-wire sensors of the FDMK series are specially designed for use in high-volume production. Due to the favorable price and the compact size of the sensor, new potential designs and cost optimization are the benefits to the user.



FDMK46 Output P10/P25



FDMK46 Output CR-P25



■ Technical data

Model			FDMK46-1000	FDMK46-1250
Output			P	
Measuring range			1000mm	1250mm
Linearity	wire pot. P25	±0.25% FSO	2.5mm	3.12mm
	hybrid pot. P10	±0.1% FSO	1mm	1.2mm
Resolution	wire pot. P25		0.3mm	0.4mm
	hybrid pot. P10		quasi infinite	
Sensor element			wire/hybrid potentiometer	
Temperature range			-20 ... +80°C	
Material	housing		plastic	
	draw wire		coated polyamid stainless steel (ø 0.36 mm)	
Wire mounting			eyelet	
Sensor mounting			mounting holes / mounting grooves	
Wire acceleration			appr. 5g	
Wire retraction force (min)			appr. 1N	
Wire extension force (max)			1.6N	1.5N
Protection class			IP 20	
Electrical connection	P10, P25		soldering tag	
	CR-P25		integrated cable, radial, 1m	
Weight			appr. 80g	

FSO = Full Scale Output

■ Ordering code

FDMK46 - 1000 - P25

Output option:
 potentiometer P25 (linearity ±0.25% FSO)
 potentiometer P10 (linearity ±0.1% FSO)
 potentiometer CR-P25, integrated cable, radial, 1m

Measuring range in mm

FDMK46

LEADERS IN SENSORS & HEAVY DUTY JOYSTICKS

ALThERIS bv

Scheveningseweg 15
 2517 KS DEN HAAG
 The Netherlands

+31 (0)70 3924421

+31 (0)70 3644249

Offices in : Benelux | Germany | France | UK | Italy | USA

www.altheris.com

sales@altheris.nl

ALThERIS
 SENSORS & CONTROLS