



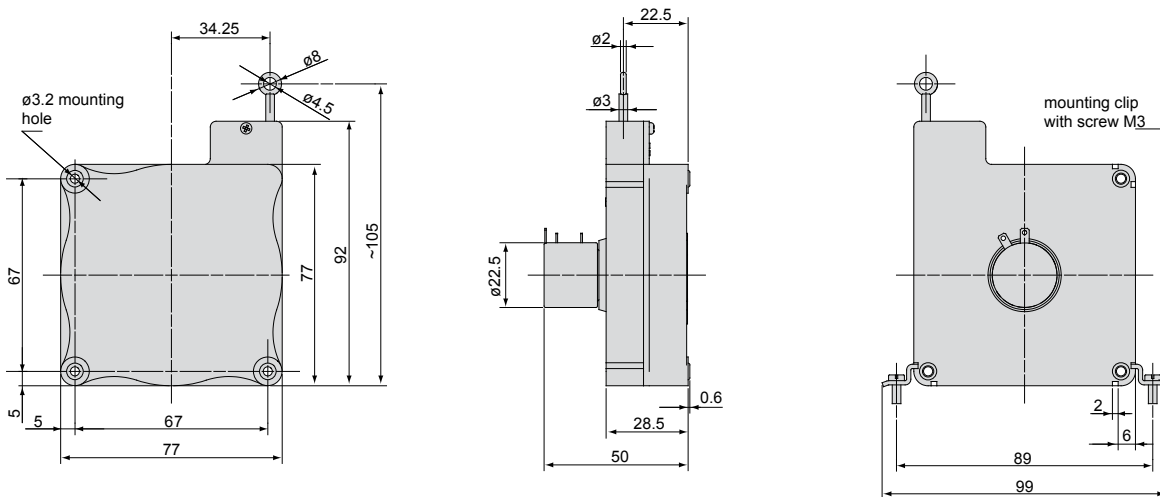
FDMK77 analog Draw-wire sensor

- Robust plastic housing
- Customized versions for OEM
- Wire potentiometer

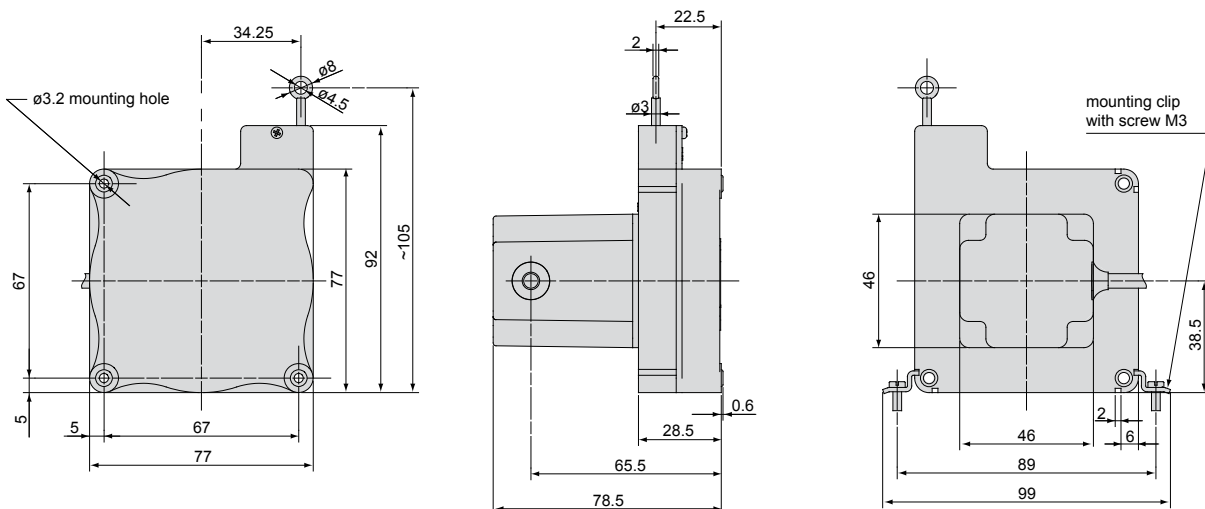
The miniature draw-wire sensors of the FDMK series are specially designed for use in high-volume production. Due to the favorable price and the compact size of the sensor, new potential designs and cost optimization are the benefits to the user.



FDMK77 Output P25



FDMK77 Output CR-P25



■ Technical data

Model			FDMK77-2100
Output			P25
Measuring range			2100mm
Linearity	wire pot.	±0.25% FSO	5.25mm
Resolution	wire pot.		0.55mm
Sensor element			wire potentiometer
Temperature range			-20 to 80°C
Material	housing		plastic
	draw wire		coated polyamid stainless steel
Wire mounting			eyelet
Sensor mounting			mounting holes / mounting grooves
Cable diameter			0.45mm
Wire retraction force (min)			3.5N
Wire extension force (max)			5N
Wire acceleration			5g
Protection class			IP 20
Electrical connection	P25		soldering tag
	CR-P25		integrated cable radial, 1m
Weight	P25		ca. 0.2kg
	CR-P25		ca. 0.25kg

FSO = Full Scale Output

■ Ordering code

FDMK77 - 2100 - P25

Output option:
 potentiometer P25 (linearity ±0.25% FSO)
 potentiometer CR-P25, integrated cable, radial, 1m

Measuring range in mm

FDMK77

LEADERS IN SENSORS & HEAVY DUTY JOYSTICKS

ALThERIS bv

Scheveningseweg 15
 2517 KS DEN HAAG
 The Netherlands

+31 (0)70 3924421

+31 (0)70 3644249

Offices in : Benelux | Germany | France | UK | Italy | USA

www.altheris.com

sales@altheris.nl

ALThERIS
 SENSORS & CONTROLS