



GCD-SE series Gage Heads

- Hermetically sealed housing
- Single ended 8.5 to 24VDC supply
- Low current consumption (only 6mA)
- Ideal for battery operation
- IEC IP68 rating to 1,000 PSI [70 bars]
- Long strokes up to 2 inches
- Hardened tool steel contact tip
- High side load resistance



The GCD-SE Series of heavy-duty DC operated gage heads enable high performance in environments containing moisture, dirt, and fluid contaminants. With a spring loaded LVDT, a precision linear bearing, and internal conditioning electronics operating on a single ended 8.5 to 28 VDC input with minimal current draw, the GCD-SE is ideally suited to portable measurement applications in difficult environments. Internal EMI, ESD and RFI protection, provide CE compliance when correctly installed. Synchronous demodulation ensures unsurpassed noise rejection.

These robust gage heads allow measurements over stroke ranges from 0 to 0.100 inch [2.54mm] up to 0 to 2.0 inches [50.8 mm]. The maximum spring force is typically 8 oz [230 grams]. A removable black-chromed, hardened tool steel tip is threaded (4-48UNF-2A) to the working end. Internal construction prevents the core and shaft from rotating as they move longitudinally. The integral electrical connector (welded) provides for easy installation and allows replacing a damaged cable without sacrificing the sensor. Installation and adjustment are facilitated by an external 1/2-20 mounting thread and the two locknuts supplied with each unit.

The ruggedness, long life cycle, and very high reliability of the GCD-SE Series provide the lowest cost of ownership over the life of the equipment onto which they are installed. The one-piece front end (barrel which contains the bearing assembly), machined from solid stainless steel bar, coupled with a bronze bushing, has far greater resistance to bending forces and side loads compared to other designs. This is particularly important on the longer stroke versions; it reduces the common risk of probe damage/bending during installation or maintenance of industrial equipment. The GCD-SE Series designs also require fewer parts and weld joints, thereby increasing overall structural integrity and reliability.

Altheris offers options, such as mating connector plugs, special contact tips, air-extend/spring retract, and cable assemblies. Also see our other models with built-in signal conditioning, GCD (DC voltage), GCT (4-20mA 2-wire loop) and GC-485 (RS-485 Digital Series), as well as the AC operated GCA.

Features

- All-welded stainless steel construction
- Resistant to harsh environments
- MS type connector (MIL-C-5015)
- Long cycle life
- CE compliant
- Calibration certificate supplied with each unit
- Air extend/spring retract available (consult factory)

Applications

- Roller Gap Control
- In-process Wet Grinding
- Hand Held Gages
- X-Y Positional Feedback
- Automotive chassis track testing
- Remote site monitoring

■ Performance specifications

Electrical specifications

Parameter	GCD-SE-100	GCD-SE-250	GCD-SE-500	GCD-SE-1000	GCD-SE-2000
Stroke/gaging range	0.10 [2.54]	0.25 [6.35]	0.50 [12.7]	1 [25.4]	2 [50.8]
Sensitivity (VDC/inch)	50	20	10	5	2.5
Temperature coefficient of sensitivity	0.025%/°F [0.05%/°C]				
Supply voltage	+8.5 to +28VDC				
Supply current	6mA				
Line regulation	0.2 mV/V				
Output voltage range	0 to +5VDC (4 wire hookup); +1 to +6VDC (3 wire hookup)				
Output Impedance	<1 Ohm				
Noise and ripple	<10mV RMS				
Linearity	±0.25% % of FS maximum				
Repeatability	25 μ-inch [0.6 micron]				
Stability	0.1% of Full Scale after warm up				
Frequency response (dynamic)	15Hz maximum				

Environmental specifications

Operating temperature	-13°F to +185°F [-25°C to 85°C]
Survival temperature	-65°F to +250°F [-55°C to 125°C]
Shock survival	250 g (11ms half-sine)
Vibration tolerance	10 g up to 2KHz
Housing material	AISI 400 Series stainless steel
Electrical connector	6-pin MS type connector (MIL-C-5015)
NEMA IEC 60529 rating	IP68 to 1,000 PSI [70 bars] with use of proper mating connector plug

Notes:

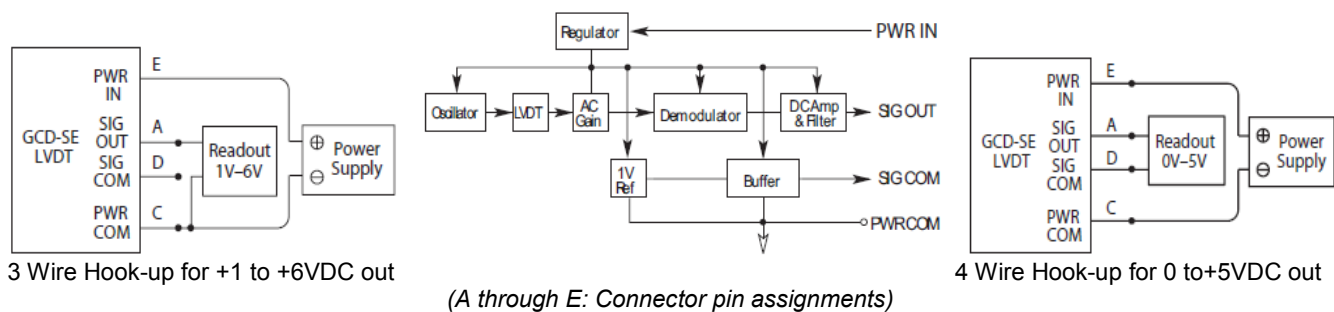
All values are nominal unless otherwise noted

Dimensions are in inch [mm] unless otherwise noted

FS: Full Scale is 2X for ±X stroke

■ Wiring schematics & block diagram

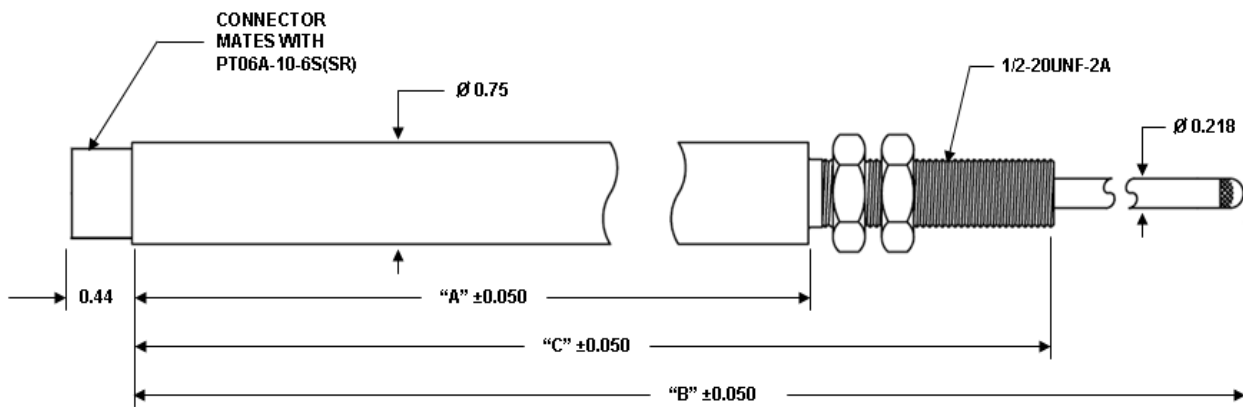
Important : NEVER connect Pins D and C together; NEVER connect Pin D to other GCD-SE's



■ Dimensions

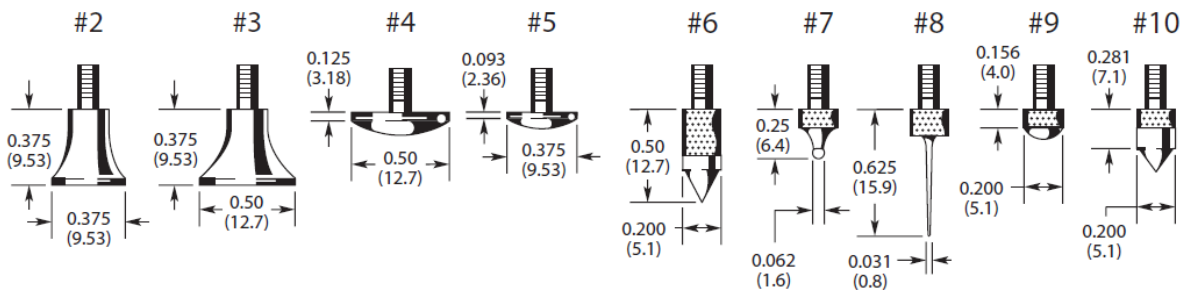
Mechanical specifications

Parameter	GCD-SE-100	GCD-SE-250	GCD-SE-500	GCD-SE-1000	GCD-SE-2000
Stroke/gaging range	0.10 [2.5]	0.25 [6.4]	0.50 [12.7]	1 [25.4]	2 [50.8]
Pre-travel	0.15 [3.8]	0.25 [6.3]	0.04 [1.0]	0.20 [5.1]	0.10 [2.5]
Over-travel (minimum)	0.30 [7.6]	0.30 [7.6]	0.25 [6.3]	0.35 [8.9]	0.10 [2.5]
Main body length "A"	4.06 [103.1]	4.9 [124.5]	5.76 [146.3]	7.46 [189.5]	9.42 [239.3]
Overall body length "C"	5.42 [137.7]	6.27 [159.3]	7.13 [181.1]	10.45 [265.4]	12.41 [315.2]
Plunger length "B" (fully extended; 0 or 1 VDC out)	6.48 [164.6]	7.3 [185.4]	8.16 [207.3]	12.93 [328.4]	14.87 [377.7]
Weight (Ounce)	2.5 oz	3.3 oz	3.5 oz	5.5 oz	8.0 oz
Weight (Gram)	71 G	93 G	100 G	156 G	227 G



(Refer to mechanical specifications for dimensions "A", "B" and "C")

■ Replacement/optional contact tips



■ Ordering information

Description	Model	Part Number
0.10 inch gage head	GCD-SE-100	02351006-000
0.25 inch gage head	GCD-SE-250	02351007-000
0.5 inch gage head	GCD-SE-500	02351008-000
1 inch gage head	GCD-SE-1000	02351009-000
2 inch gage head	GCD-SE-2000	02351010-000
Options		
Air extend/spring retract gage head (<i>Consult factory</i>)	All GC Series	XXXXXXXX-150
Accessories		
Mating connector kit	PT06A-10-6S(SR)	62101011-000
10 foot shielded cable with wired mating connector (<i>consult factory for longer cable lengths</i>)	GCD-SE cable assembly	04290589-000
Replacement contact tips	Contact Tip 2	67010005-000
	Contact Tip 3	67010006-000
	Contact Tip 4	67010002-000
	Contact Tip 5	67010007-000
	Contact Tip 6	67010008-000
	Contact Tip 7	67010009-000
	Contact Tip 8	67010010-000
	Contact Tip 9	67010001-000
	Contact Tip 10	67010011-000

ALTHERIS bv

Scheveningseweg 15
2517 KS DEN HAAG
The Netherlands

+31 (0)70 3924421

+31 (0)70 3644249

Offices in : Benelux | Germany | France | UK | Italy | USA

www.altheris.com

sales@altheris.nl

LEADERS IN SENSORS & HEAVY DUTY JOYSTICKS

ALTHERIS
SENSORS & CONTROLS