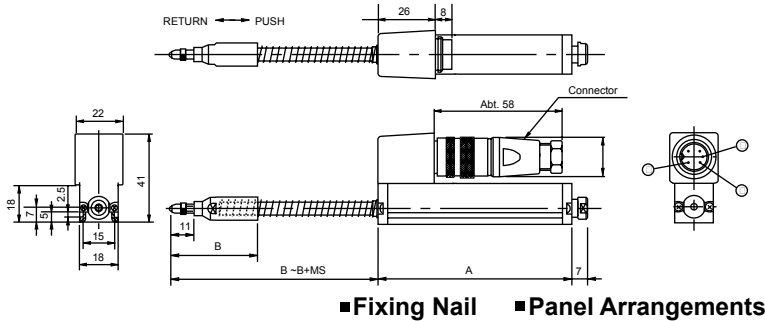




Model 18FLPC

Conductive plastic (With front and rear extended shaft)

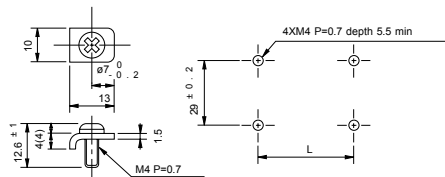
Standard dimensions



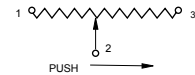
Model 18FLPCC50RE

Specifications of Connector

Number of poles: 5 poles
 Electrical wire diameter to be connected: $\phi 4.8\text{mm}$ max



Connector Terminal Connection Diagram



Model No.	Mechanical Stroke (MS)	Dimensions		
		A	B	L
18FLPCC25RE	30	63	32	33
18FLPCC50RE	55	88	40	58

Note: 4 pcs of fixing nail and mating connector are attached

Standard Model Nos.

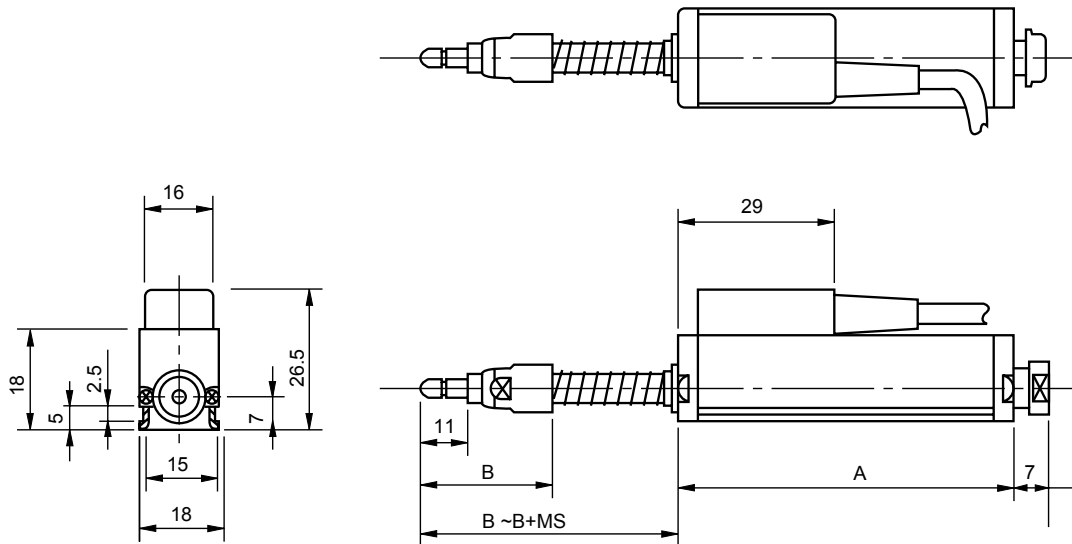
18FLPCC25RE stroke 25mm
 18FLPCC50RE stroke 50mm

General Specifications

Model No.	18FLPCC25RE	18FLPCC50RE
Standard Resistance Values	500, 1k, 2k, 5k, 10k (Ω)	500, 1k, 2k, 5k, 10k (Ω)
Total Resistance Tolerance	$\pm 10\%$ (K)	
Independent Linearity Tolerance	Standard Class	$\pm 0.5\%$
	Precision Class	$\pm 0.1\%$
Resolution	Essentially Infinite	
Output Smoothness	Within 0.1% against input voltage	
Contact Resistance Variation	Within 2% C.R.V.	
Power Rating	0.5W	0.75W
Electrical Stroke	25 \pm 1mm	50 \pm 1mm
Mechanical Stroke (MS)	Approx. 30mm	Approx. 55mm
Insulation Resistance	Over 1,000M Ω at 500V.D.C.	
Dielectric Strength	1 minute at 500 V.A.C.	
Friction	Within 3N (300gf)	
With Spring Return Device	Fitted (standard)	
Stopper Strength	Approx. 90N (9kgf)	
Resistance Temperature Coefficient	$\pm 400\text{p.p.m.}^\circ\text{C}$	
Mass	Approx. 100g	Approx. 150g

■ **Special Specifications available**

Higher resistance valueu (20kΩ, 50kΩ [50kΩ is available for 18FLPCC50RE only]), Stroke 75mm (S18FLPCC75), stroke 100mm (S18FLPCC100), stroke 150mm (S18FLPCC150), stroke 200mm (S18FLPCC200), sealed type (IP54, the length of "A" is extended by abt. 12mm), with spring return device (available 75mm & 100mm stroke, friction is approx. 3N [300gf]. Spring return device is mounted on the outer shaft), with a cardan joint (without spring return device). Extra taps (available up to 1 tap and only on the version with a connector). In case of leadwire terminals, the dimensions are as the right drawing: (the dimensions of "A", "B" & "L" are the same as above table), leadwire length is 1m.



ALTHERIS bv

Scheveningseweg 15
2517 KS DEN HAAG
The Netherlands

+31 (0)70 3924421

+31 (0)70 3644249

Offices in : Benelux | Germany | France | UK | Italy | USA

www.altheris.com

sales@altheris.nl

LEADERS IN SENSORS & HEAVY DUTY JOYSTICKS

ALTHERIS
SENSORS & CONTROLS