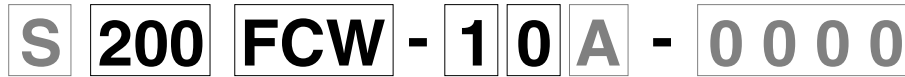




# Model 200FCW Series

## Incorporated Potentiometer with a Conductive Plastic resistive element

### Nomenclature



**S**  
 S means special mechanical specifications not applicable to our standard.

**200**  
 200 means approx. size of base housing in mm.

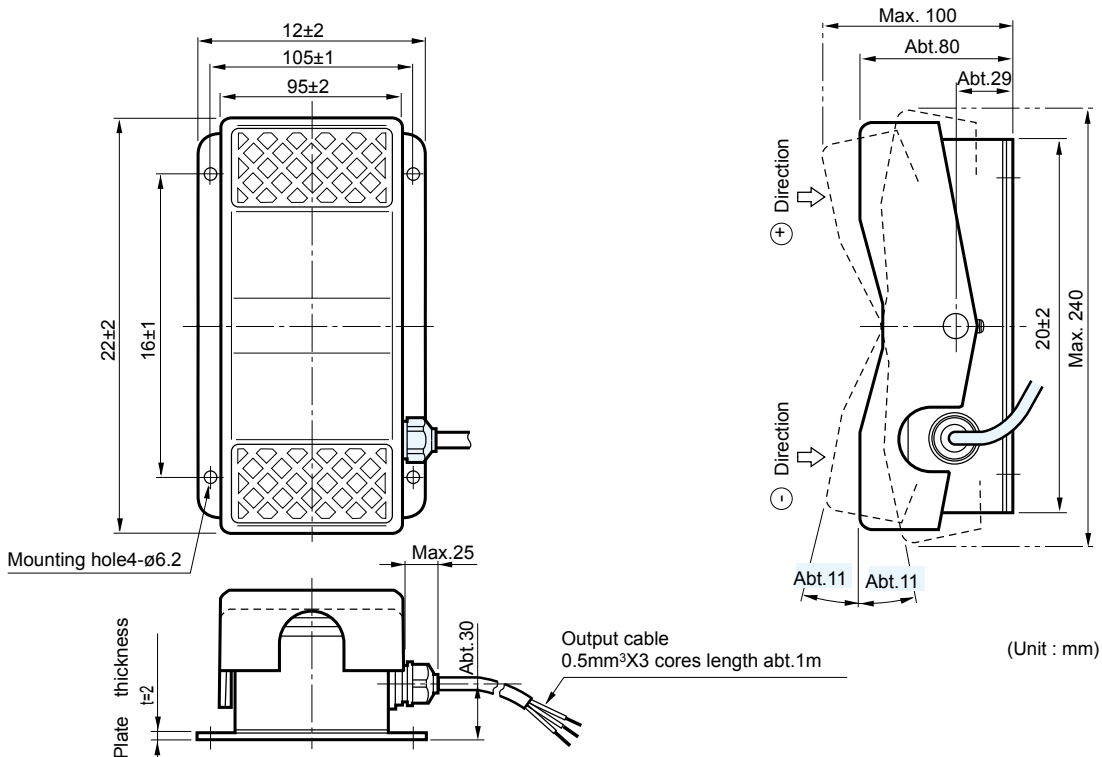
**FCW**  
 FC means Foot Controller, W means see-saw pedal type.

**Special part number :**  
 In case we produce customized product, we add 4-digit branch number.

**0 ① Number of switches to be incorporated (Option).**  
 0--No switch incorporated.  
 1--1 switch incorporated.  
 2--2 switches incorporated.  
**A ② Rating of switch :** A. B. C. ---Code-switch  
 D. E. F. ---Micro-switch  
 G---Other switch

**1 Number of potentiometers to be incorporated (model SF22E)**  
 0--No potentiometer incorporated.  
 1--1 potentiometer incorporated.  
 2--2 potentiometers incorporated (Option).

### Standard Dimensions



## Standard Specifications

### Mechanical Performance

**Operating method :** Stepping see-saw pedal type

**Operating angle :** Approx.  $\pm 11^\circ$

**Operating force :** Standard spring return device: Automatically return to center.

Abt. 20N (Abt. 2,000gf.)

**Operating temperature range :**  $20^\circ\text{C} \sim +65^\circ\text{C}$

**Vibration :** 10~55Hz 98m/s<sup>2</sup>

**Shock :** 294m/s<sup>2</sup>

**Life expectancy :** Approx. 1,000,000 operations

**Mass :** Approx. 1.5kg

### Electrical Performance

**Potentiometer incorporated :** SFCP22E, 10k $\Omega$   $\pm 20\%$ , 0.35W, Independent linearity tolerance  $\pm 3\%$  (conductive plastic resistive element)

**Electrical rotating angle :** Approx.  $75^\circ$

**Center shortened zone :** With a shortened zone with abt.  $8^\circ$  (abt.  $\pm 4^\circ$ ) in the center position

**Center returning accuracy :**  $50\% \pm 1.5\%$

**Output smoothness :** Below 0.2% against input voltage

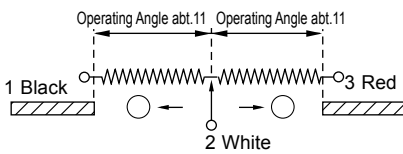
**Contact resistance variation :** Below 5% C.R. V.

**Resolution :** Essentially infinite

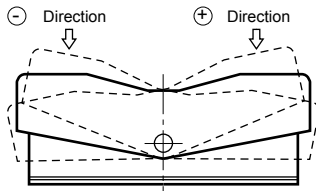
**Dielectric strength :** 1minute at 500V A.C.

**Insulation resistance :** Over 1,000M $\Omega$  at 500V D. C.

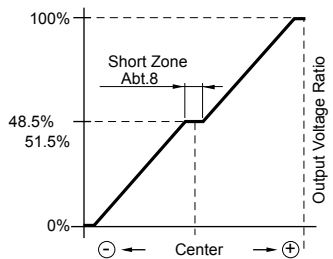
### Terminal Connection Diagram



### Output Characteristics



Output Characteristic of Incorporated Pot. (Theoretical Value)



### Special Specifications Available

- **With switch incorporated :**

If you require the pedal with one switch, unless specified, we supply the pedal with A version switch (code-switch with "ON" operation at about 3 from the beginning of stepping).

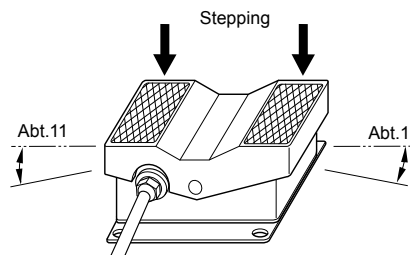
- Automatically one-sided return type

- With a center tap on the incorporated pot.

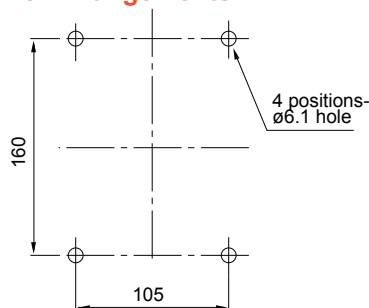
(Model S200FCW-11G)

- IP65 sealing
- 2 ganged potentiometer
- Special resistance value on potentiometer
- An intermediate tap on potentiometer

### Angle of Stepping



### Panel Arrangements



**200FCW-10**  
(Standard)

LEADERS IN SENSORS & HEAVY DUTY JOYSTICKS

**ALTHERIS bv**

Scheveningseweg 15  
2517 KS DEN HAAG  
The Netherlands

+31 (0)70 3924421

+31 (0)70 3644249

Offices in : Benelux | Germany | France | UK | Italy | USA

www.altheris.com

sales@altheris.nl

**ALTHERIS**  
SENSORS & CONTROLS