



## 25/E2-series Inclinator

- Dual axis inclinometer
- Measurement range +/-25°
- analogue voltage output signal OEM module



The 25/E2-Series is a biaxial inclination sensor as a PCB Module for OEM use with measurement range +/-25°. It consists of one dual basic inclination sensor cells based on a conductance measurement principle and their complete electronic biasing and readout, which is carefully designed in order to minimize drift and temperature effects.

### Features

- High zero point stability
- Analogue voltage output signal
- Easy for mounting
- PCB level
- Fast response time
- Low drift sensitivity
- Low noise level

### Applications

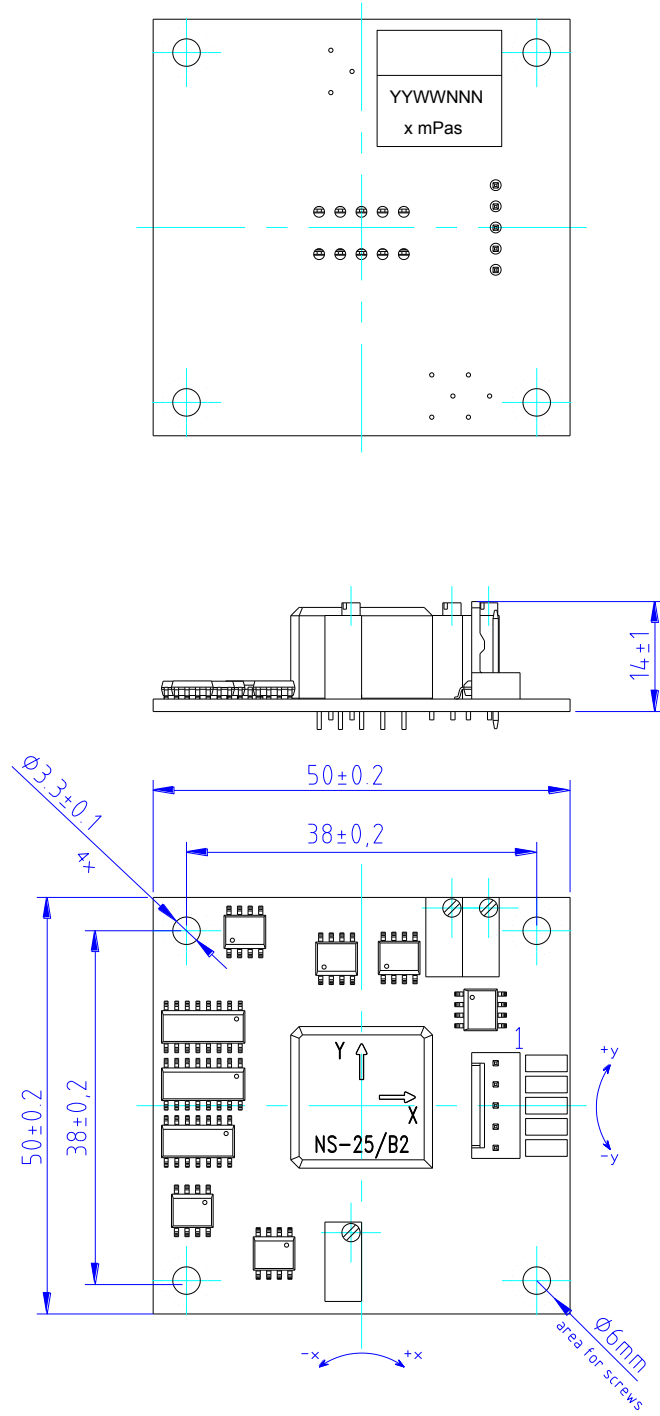
- Road construction machines
- Vehicle applications
- Building control
- Hydraulic leveling
- Platform leveling
- Drilling machines

### ■ Dimensions

	Conditions	Min	Type	Max	Unit
Measurement range		-25		+25	°
Resolution			0.01		°
Accuracy	Ta = 0°...70°C,		0.3		°
Non-linearity			1.5		%[FS]
Cross sensitivity			0.2		%[FS]
Power supply (1)	Type 3		+5		VDC
Voltage output signal(1)	Type 3, to Vref :+2.5VDC	-2		+2	V
Power supply(2)	Type 4	+12		+24	VDC
Voltage output signal (2)	Type 4, to Vref : +2.5VDC	-2		+2	V
Power supply(3)	Type 7	+12		+24	VDC
Voltage output signal(3)	Type 7, to GND	+2.5		+2.5	V
Current consumption		15		30	mA
Operation temperature range		-25		+70	°C
Storage temperature range		-40		+85	°C
Weight			20		g
Dimensions	W x D x H		50 x 50 x 14		mm

- (1) notice pinning schema type 3  
 (2) notice pinning schema type 4  
 (3) notice pinning schema type 7

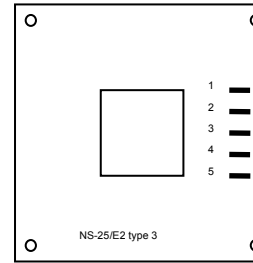
■ Dimensions (mm)



## ■ Pinning

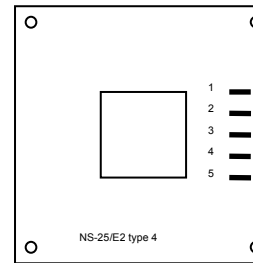
### Pinning schema type 3

Pin	Name	Description	Type
1	Vcc	Positive power supply +5 VDC	Supply, Input
2	Vref	Reference potential +2.5VDC, S-GND	Output
3	GND	Ground (negative supply voltage)	Supply, Input
4	Out X	Output voltage signal X axis	Output
5	Out Y	Output voltage signal Y axis	Output



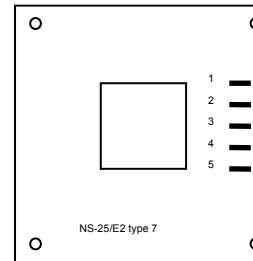
### Pinning schema type 4

Pin	Name	Description	Type
1	Vcc	Positive power supply +12...+24 VDC	Supply, Input
2	Vref	Reference potential +2.5VDC, S-GND	Output
3	GND	Ground (negative supply voltage)	Supply, Input
4	Out X	Output voltage signal X axis	Output
5	Out Y	Output voltage signal Y axis	Output

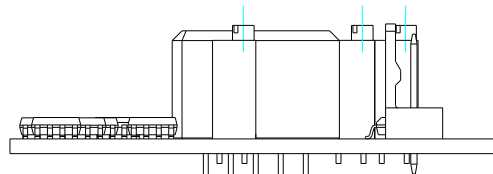


### Pinning schema type 7

Pin	Name	Description	Type
1	Vcc	Positive power supply +12...+24 VDC	Supply, Input
2	GND	Ground (negative supply voltage)	Supply, Input
3	n.c.	n.c.	-
4	Out X	Output voltage signal X axis	Output
5	Out Y	Output voltage signal Y axis	Output



## ■ Mounting



This kind of unit is for horizontal mounting only suitable.

### ALTHERIS bv

Scheveningseweg 15  
2517 KS DEN HAAG  
The Netherlands

+31 (0)70 3924421

+31 (0)70 3644249

Offices in : Benelux | Germany | France | UK | Italy | USA

www.altheris.com

sales@altheris.nl

LEADERS IN SENSORS & HEAVY DUTY JOYSTICKS

**ALTHERIS**  
SENSORS & CONTROLS