



# AngleStar

## Electronic protractor system

The Anglestar Protractor System (APS) is a ready to use, stand alone system for angle measurements. The system incorporates a special AccuStar I ratiometric electronic clinometer, a digital display, and a standard four foot cable (Cable lengths up to 200 feet are available, consult us for details).



This system will operate for over 1,000 hours on one 9 volt battery and may be powered from an external power source between 9 and 15 Vdc, drawing minimal current. The display may be mounted up to 200 feet from the sensor, for remote sensing applications such as drilling equipment or tower crane overload protection. There are three systems to choose from,  $\pm 19.99$  degrees with a 0.01 degree resolution,  $\pm 45^\circ$ , or a  $+90^\circ$  with 0.1 degree resolution.

### Features

- Separate Sensor & Readout
- External Power Jack
- Remote Sensing-Up to 200 Feet from Display
- Ranges:  $\pm 19.99^\circ$ ,  $\pm 45.0^\circ$  or 0.0 to  $90.0^\circ$

### Applications

- Platform Leveling
- Antenna Positioning
- Mining Equipment
- Machine Tooling

### Performance specifications

#### Standard (P/N 02160001-000)

Linear Range  $\pm 45^\circ$   
 Threshold & Resolution  $0.1^\circ$

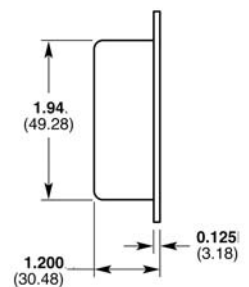
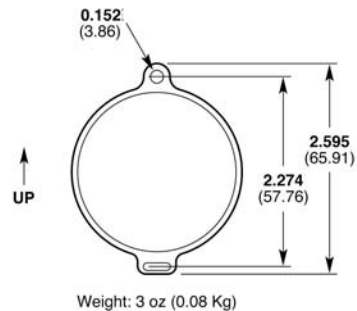
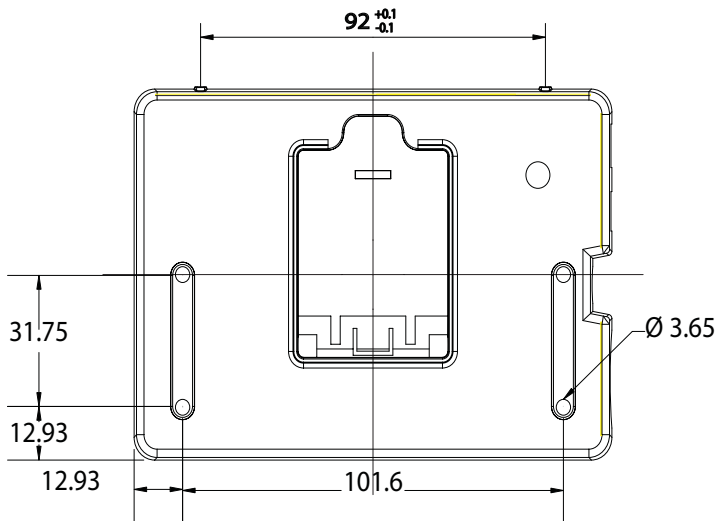
#### High Resolution (P/N 02160003-000)

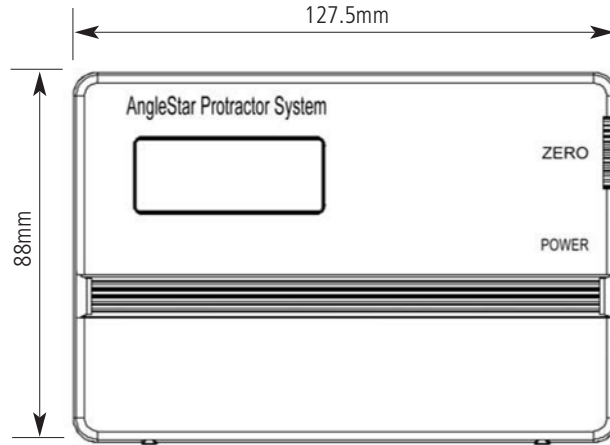
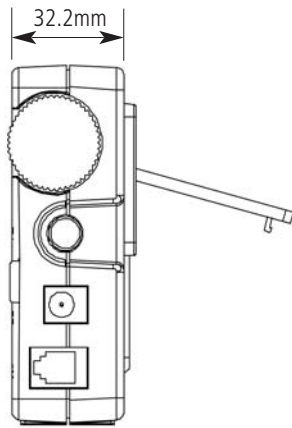
Linear Range  $\pm 19.99^\circ$   
 Threshold & Resolution  $0.01^\circ$

#### 90 Degree (P/N 02160005-000)

Linear Range  $0^\circ$  to  $90^\circ$   
 Threshold & Resolution  $0.1^\circ$   
 Linearity \*  
     Null to  $10^\circ$   $0.1^\circ$   
      $10^\circ$  to  $45^\circ$   $\pm 1\%$  of angle  
 Null Repeatability  $\pm 0.1^\circ$   
 Cross Axis Error  $< 1\%$  up to  $45^\circ$   
 Sensor Time Constant 0.3 second  
 Sensor Frequency  
     Response 0.5 Hz

### Dimensions [mm]





### ■ Electrical specifications

Battery Life (approx.)	1000 hours
(note: Battery must be removed for external power operation)	
External Power Supply	
Voltage	9 to 15 Vdc
Current	<0.1mA
Temperature Range	-18° to 55°C
Interconnect Cable	
Four Conductor, AWG 26, PVC Jacket	
Standard Length	4 feet (@1.2 meters)
Maximum Length	200 feet (@61.5 meters)

\*Linearity specification applies to standard and high resolution systems only.  
(Cable lengths up to 200 feet are available, consult us for details)

### ■ Ordering information

Number	Description
02160001-000	±45°
02160003-000	±20°
02160005-000	0° to 90°

#### ALThERIS bv

Scheveningseweg 15  
2517 KS DEN HAAG  
The Netherlands

+31 (0)70 3924421

+31 (0)70 3644249

Offices in : Benelux | Germany | France | UK | Italy | USA

www.altheris.com

sales@altheris.nl

LEADERS IN SENSORS & HEAVY DUTY JOYSTICKS

**ALThERIS**  
SENSORS & CONTROLS