



V-series Inclinometer

- Single or dual axis inclinometer
- Measurement range $\pm 5^\circ$ $\pm 15^\circ$ and $\pm 45^\circ$
- analogue voltage or current output signal
- AL-housing IP 65



The V-Series of conductive single or dual axis inclinometers offers a modern electronic in an environmentally protected and robust aluminium anodizing housing. This fully calibrated inclinometer is available with an analogue voltage output signals or current output signal. They have a compact study design and show large range of applications are possible.

Features

- Single or dual axis inclinometer
- Analogue voltage or current output signal
- Easy to mounted
- High resolution
- Protection class IP 65
- Rugged M9 7 pins connector
- Robust AL-housing

Applications

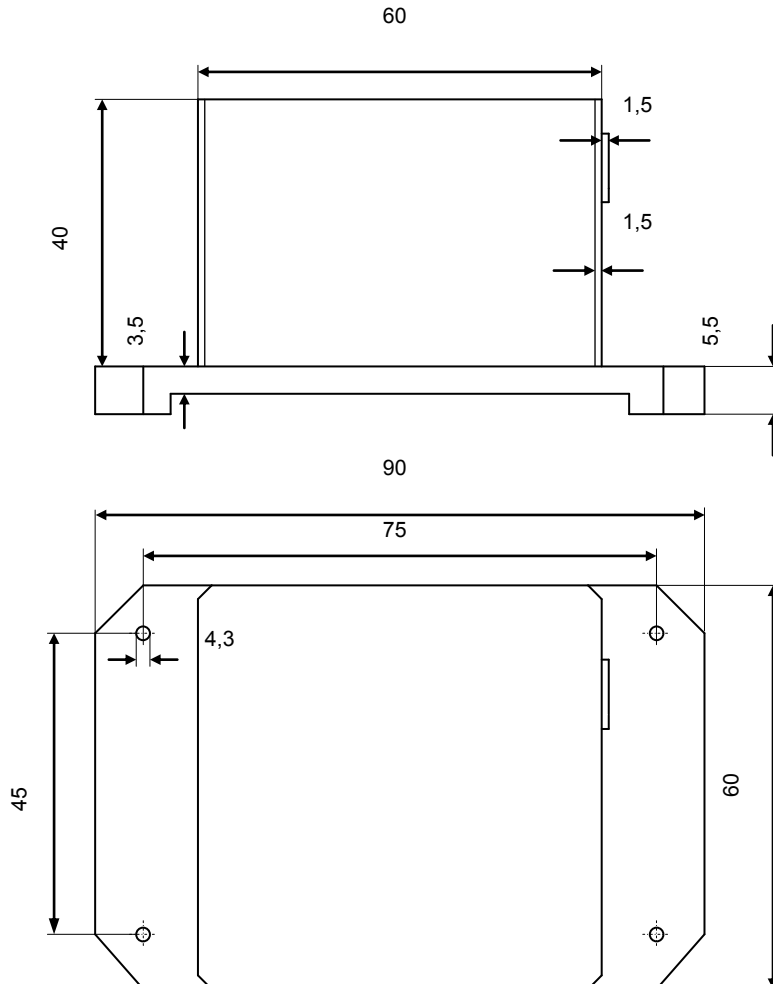
- Drilling machines
- Vehicle applications
- Building control
- Mobile and stationary cranes
- Hydraulic leveling
- Platform leveling
- Road construction machines

■ Performance Specifications

	Conditions	Min	Type	Max	Unit
Measurement range		-5 / -15/ -45		+5 / +15/ +45	°
Resolution ⁽¹⁾		0.001		0.01	°
Accuracy	Ta = 0°...70°C,	0.08 / 0.15 / 0.9 ⁽⁴⁾			°
Non-linearity		1.5			%[FS]
Cross sensitivity		0.15			%[FS]
Voltage output signal ^{(2),(3)}	V,V2 unit	-2		+2	V
Voltage output signal ⁽³⁾	V,V2 unit	0.5		4.5	V
Current output signal ⁽³⁾	VI,V2I unit	20		4	m A
Current consumption		10		30	m A
Power supply		+12		+24	VDC
Operation temperature range		0		+70	°C
Storage temperature range		-40		+85	°C
Weight		300		320	g
Dimensions	W x D x H	90 x 60 x 45.5			mm

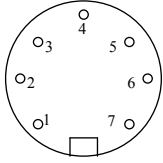
- (1) depend on measurement range
- (2) ratiometric to signal ground GNDx,y
- (3) depending on the circuitry wiring, see pinning schema
- (4) up to measurement range +/-30°

■ Dimensions (mm)



■ Pinning

Pinning single axis unit with voltage output signal: NS-5/V, NS-15/V, NS-45/V



Pin	Name	Description	Type	Color schema(1)
1	Vcc	Positive power supply +12...+24VDC	Supply, Input	white
2	GND	Ground, negative supply voltage	Supply, Input	brown
3	Earth	Protection conductor	Supply, Input	green
4	GNDx	Ground for output voltage signal X axis	Output	yellow
5	n.c.	n.c.	-	grey
6	Out Vx	Output voltage signal X axis	Output	pink
7	n.c.	n.c.	-	blue

(1) by using a Measurement Specialties cable

Output connecting possibility 1

Pin 6 output voltage signal Vx x-axis



Pin 4 GNDx analogue ground x-axis

Output signal – 2V (- 5°) up to +2V (+ 5°)
 Output signal – 2V (-15°) up to +2V (+15°)
 Output signal – 2V (-45°) up to +2V (+45°)

Output connecting possibility 2

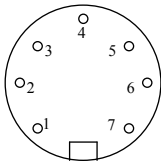
Pin 6 output voltage signal Vx x-axis



Pin 2 GND supply ground

Output signal + 0,5V (- 5°) up to + 4,5V (+ 5°)
 Output signal + 0,5V (-15°) up to + 4,5V (+15°)
 Output signal + 0.5V (-45°) up to + 4,5V (+45°)

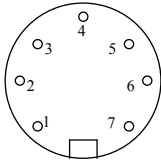
Pinning single axis unit with current output signal: NS-5/VI, NS-15/VI, NS-45/VI



Pin	Name	Description	Type	Color schema(1)
1	Vcc	Positive power supply +12...+24VDC	Supply, Input	white
2	GND	Ground, negative supply voltage	Supply, Input	brown
3	Earth	Protection conductor	Supply, Input	green
4	GNDx	Ground for output current signal X axis	Output	yellow
5	n.c.	n.c.	-	grey
6	Out Ix	Output Current signal X axis	Output	pink
7	n.c.	n.c.	-	blue

(1) by using a Measurement Specialties cable

Pinning dual axis unit with voltage output signal: NS-5/V2, NS-15/V2, NS-45/V2



Pin	Name	Description	Type	Color schema(1)
1	Vcc	Positive power supply +12...+24VDC	Supply, Input	white
2	GND	Ground, negative supply voltage	Supply, Input	brown
3	Earth	Protection conductor	Supply, Input	green
4	GNDx	Ground for output voltage signal X axis	Output	yellow
5	GNDy	Ground for output voltage signal Y axis	Output	grey
6	Out Vx	Output voltage signal X axis	Output	pink
7	Out Vy	Output voltage signal Y axis	Output	blue

(1) by using a Measurement Specialties cable

Output connecting possibility 1

Pin 6,7 output voltage signal Vx x-axis, Vy y-axis



Pin 4,5 GNDx,y analogue ground x,y-axis

Output signal – 2V (- 5°) up to +2V (+ 5°)
 Output signal – 2V (-15°) up to +2V (+15°)
 Output signal – 2V (-45°) up to +2V (+45°)

Output connecting possibility 2

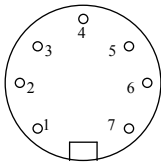
Pin 6,7 output voltage signal Vx x-axis, Vy y-axis



Pin 2 GND supply ground

Output signal + 0,5V (- 5°) up to + 4,5V (+ 5°)
 Output signal + 0,5V (-15°) up to + 4,5V (+15°)
 Output signal + 0.5V (-45°) up to + 4,5V (+45°)

Pinning dual axis unit with current output signal: NS-5/V2I, NS-15/V2I, NS-45/V2I



Pin	Name	Description	Type	Color schema(1)
1	Vcc	Positive power supply +12...+24VDC	Supply, Input	white
2	GND	Ground, negative supply voltage	Supply, Input	brown
3	Earth	Protection conductor	Supply, Input	green
4	GNDx	Ground for output current signal X axis	Output	yellow
5	GNDy	Ground for output current signal Y axis	Output	grey
6	Out Ix	Output Current signal X axis	Output	pink
7	Out Iy	Output Current signal Y axis	Output	blue

(1) by using a Measurement Specialties cable

■ Ordering information

PART NUMBERING	UNIT	SHORT DESCRIPTION
Single axis unit		
G-NSV-001	NS- 5/V	single axis,range +/- 5°,Vcc 12...24VDC,output V
G-NSVI-001	NS- 5/VI	single axis,range +/- 5°,Vcc 12...24VDC,output I
G-NSV-002	NS-15/V	single axis,range +/-15°,Vcc 12...24VDC,output V
G-NSVI-003	NS-15/VI	single axis,range +/-15°,Vcc 12...24VDC,output I
G-NSV-005	NS-45/V	single axis,range +/-45°,Vcc 12...24VDC,output V
G-NSVI-006	NS-45/VI	single axis,range +/-45°,Vcc 12...24VDC,output I
Dual axis unit		
G-NSV2-001	NS- 5/V2	dual axis,range +/- 5°,Vcc 12...24VDC,output V
G-NSV2I-001	NS- 5/V2I	dual axis,range +/- 5°,Vcc 12...24VDC,output I
G-NSV2-003	NS-15/V2	dual axis,range +/-15°,Vcc 12...24VDC,output V
G-NSV2I-003	NS-15/V2I	dual axis,range +/-15°,Vcc 12...24VDC,output I
G-NSV2-006	NS-45/V2	dual axis,range +/-45°,Vcc 12...24VDC,output V
G-NSV2I-006	NS-45/V2I	dual axis,range +/-45°,Vcc 12...24VDC,output I
Accessories		
G-NSMIS-001	Connection	Connector,straight, Submin. 712-series
G-NSMIS-015	Connection	Connector, angle 90°, Submin. 712-series
G-NSMIS-002	Connection	2 m cable, straight connector Submin. 712-series
G-NSMIS-003	Connection	2 m cable, angle 90° connector Submin .712-series

Other cable lenght on request

ALTHERIS bv

Scheveningseweg 15
2517 KS DEN HAAG
The Netherlands

+31 (0)70 3924421

+31 (0)70 3644249

Offices in : Benelux | Germany | France | UK | Italy | USA

www.altheris.com

sales@altheris.nl

LEADERS IN SENSORS & HEAVY DUTY JOYSTICKS

ALTHERIS
SENSORS & CONTROLS