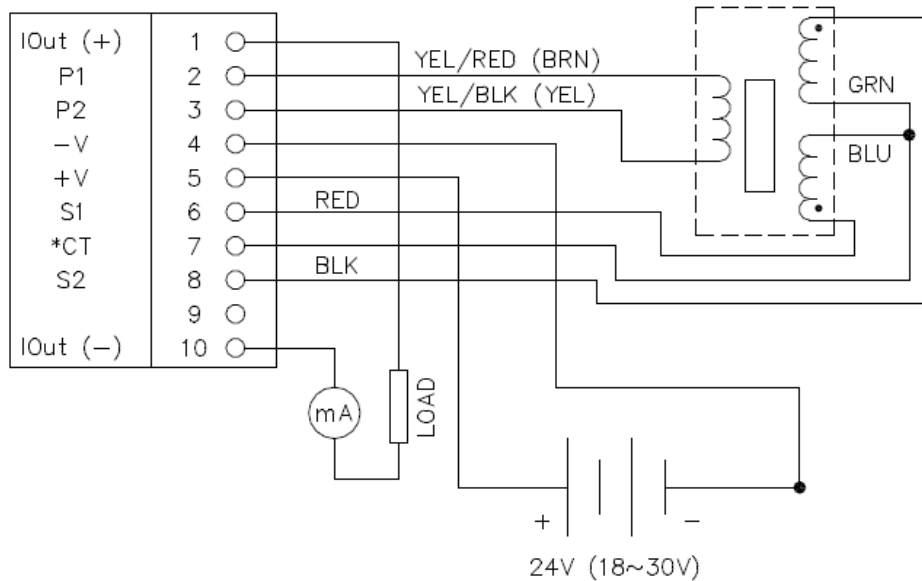


■ Specifications

Transducer Excitation Voltage	3.5 ± 10% V rms (up to 20mA)
Frequency	2.5 kHz
Output	4-20mA
Noise and Ripple	25 micro-Amps rms (max)
Maximum Loop Resistance	500 Ohms (with +24Vdc loop supply)
Sensitivity	0.1 to 5.6Vrms (for FS output)
Fixed Gain	6 (switch selectable)
Adjustable Gain	2.5 to 1
Zero Adjustment	+/- 2.5mA
Non-linearity	0.05%
Frequency Response	50 Hz (nominal) (-3dB)
Temperature Co-efficient	0.01% FSO/ °F 0.02% FSO/ °C
Operating Temperature	-13 °F to +185 °F -25 °C to +85 °C
Gain Controls	20 turn pot (2.5 to 1 ratio)
Input Voltage	18 to 30 Vdc
Input Current	50mA (max)
Stability	<0.05% of FSO (after 30-minute warm-up)

■ Connections



ALTHERIS bv

Scheveningseweg 15
2517 KS DEN HAAG
The Netherlands

+31 (0)70 3924421

+31 (0)70 3644249

Offices in : Benelux | Germany | France | UK | Italy | USA

www.altheris.com

sales@altheris.nl

LEADERS IN SENSORS & HEAVY DUTY JOYSTICKS

ALTHERIS
SENSORS & CONTROLS