

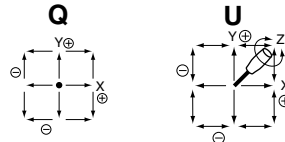


Model H60JH (Potentiometer incorporated type)

Potentiometer with a hall effect IC type resistive element

Nomenclature

- S means special mechanical specifications.
- H means hall effect IC type resistive element incorporated.
- 60 means approx. size of base housing in mm.
- J means joystick controller.
- Kind of types**
- H means 2 dimensional coordinate low-cost type.
- K means square shape.
- Mechanism**
- Y means mechanism of 2-dimensional coordinate type.
- Available directions of lever operation**
- Standard Q type** :360° square-directional operation, 2-dimensional coordinate type
- Special lever operation U type** : In addition to 360° square-directional operation, 3-dimensional coordinate operation is possible.



S **H** **60** **J** **H** **K**-**Y** **Q**-**2** **S** **0** **R2** **G**-**00000**

Number of potentiometers to be incorporated

- 0 No potentiometer incorporated. 1 1 potentiometer incorporated.
- 2 2 potentiometers incorporated.

Number of output and kind of output characteristic

- S Single output X Dual cross output P Dual parallel output

Switch function (Using output like switch)

- 0 No switch function. 1 1 switch function. 2 2 switch function. 3 3 switch function.
- 4 4 switch function. 5 5 switch function. 6 6 and over 6 switch function.

Spring return device:

- R2 With spring return device for 2 dimensional coordinate type.

Mounting accessories:

- G: With dust proof rubber cover.
- P: With sub-panel for mounting.

Special part number:

In case we produce customized product, we add 4 or 5-digit branch number.

*Switch function means using 1 analog output like switch.

Standard specifications

Mechanical performance

Controlling range of operating lever: 2 dimensional coordinate type
X and Y directions : $\pm 17.5^\circ \sim \pm 22.5^\circ$ from center position.

Operating force : Spring return device with directive feeling: Automatically return to center
X and Y directions : Approx. 3N~ 4.5N(300~ 450gf)
Operating temperature range: $- 20^\circ\text{C} \sim + 60^\circ\text{C}$
Vibration : $10 \sim 55\text{Hz } 98\text{m/s}^2$
Shock: 294m/s^2 (30G)
Life expectancy: Approx. 5,000,000 operations
Mass: Approx. 300 g

Electrical performance

Hall effect IC type resistive element incorporated

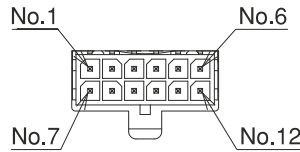
- Applied voltage : D.C. $5\text{V} \pm 10\%$
- Effective output : $0.5\text{V} \sim 4.5\text{V}$
- Electrical rotating angle: Approx. $\pm 20^\circ$
- Independent linearity tolerance : $\pm 3\%$
- Load resistance : Over $10\text{K}\Omega$

Dielectric strength: 1 minute at 500 V. A.C.
Insulation resistance: Over $1000\text{M}\Omega$ at 500 V. D.C.
EMC durability : $100\text{V/m } 80\text{MHz} \sim 1\text{GHz}$
ESD durability : $\pm 8\text{kV Contact} / \pm 15\text{kV Air}$

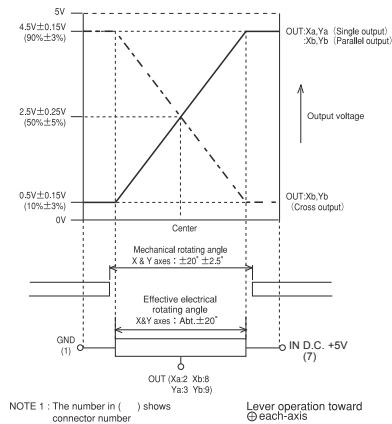
Special Specifications

Dual cross and dual parallel output are available.
Knob for 90J model can be mounted on H60JHK model.

Terminal Connection Diagram

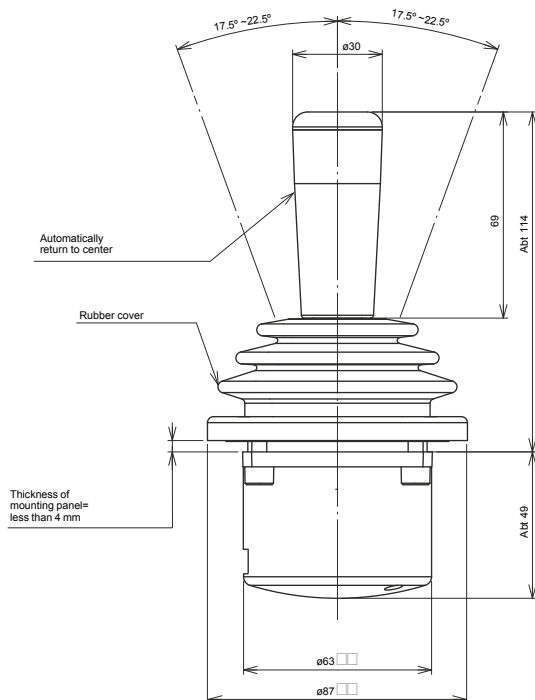


Output Characteristic

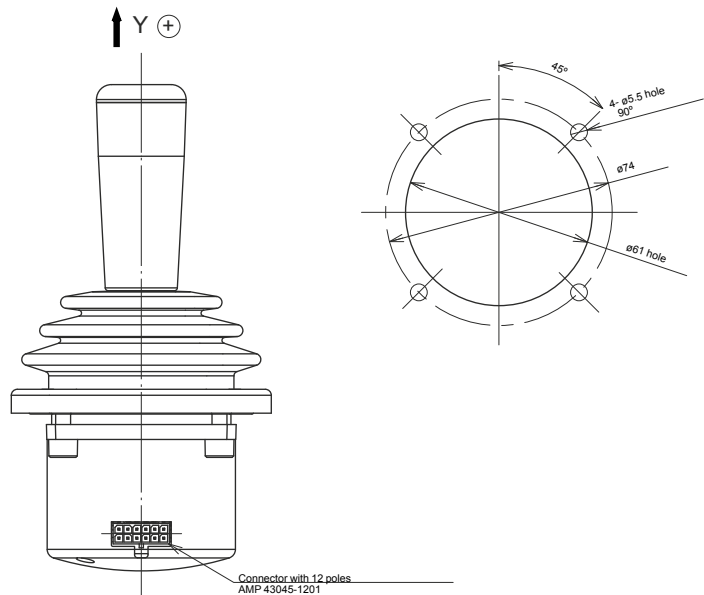


**H60JHK-YQ-2S0R2G
(Standard)
(2-dimensional coordinate type)**

Standard dimensions



Panel Arrangements



- Note 1 : 4 pcs. Of screws M5 X 20 are attached
Note 2 : Mating connector with 300 mm long lead wires (AWG22) is not standard. This is an option

ALTHERIS bv

Scheveningseweg 15
2517 KS DEN HAAG
The Netherlands

+31 (0)70 3924421

+31 (0)70 3644249

Offices in : Benelux | Germany | France | UK | Italy | USA

www.altheris.com

sales@altheris.nl

LEADERS IN SENSORS & HEAVY DUTY JOYSTICKS

ALTHERIS
SENSORS & CONTROLS