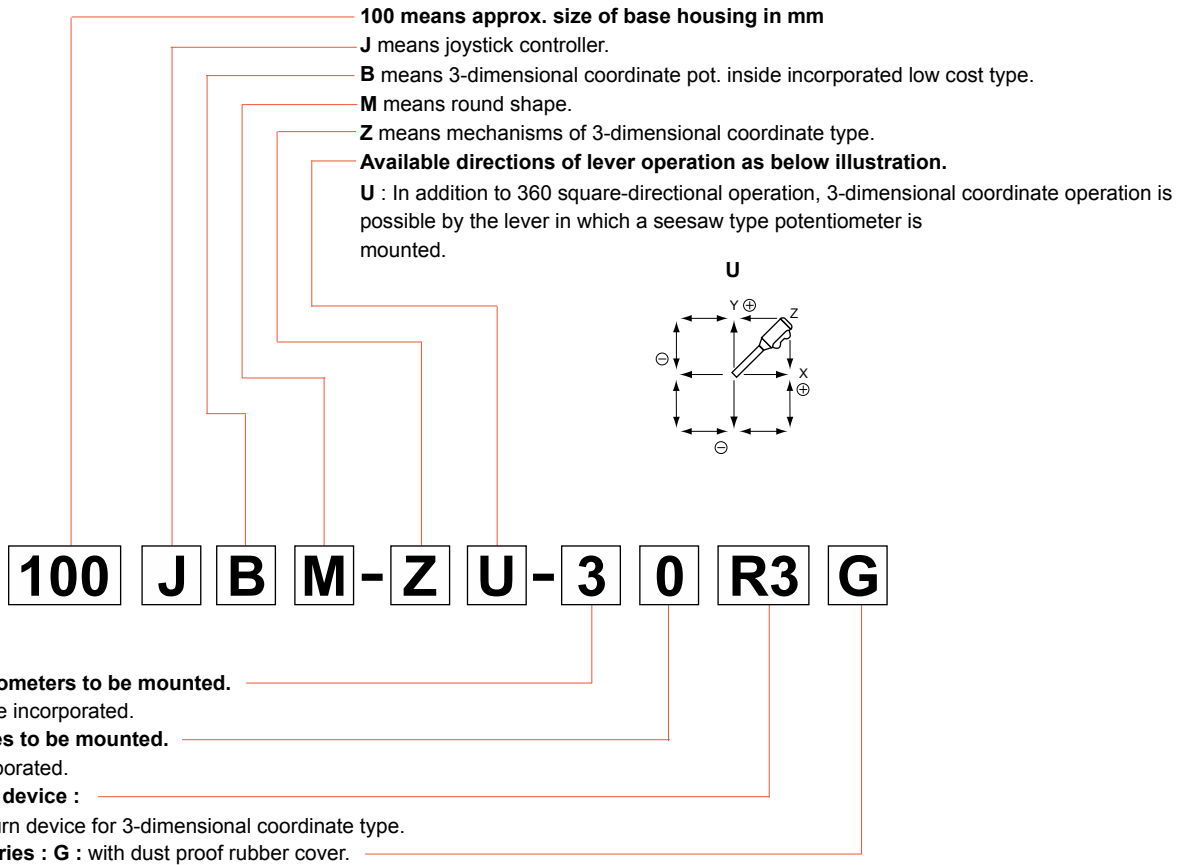




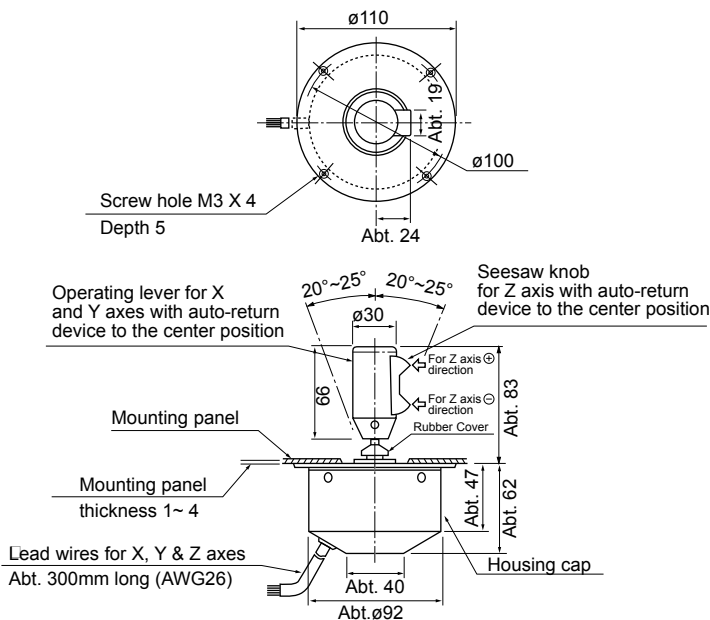
Model 100JB Potentiometer incorporated type

Potentiometer with a conductive plastic resistive element

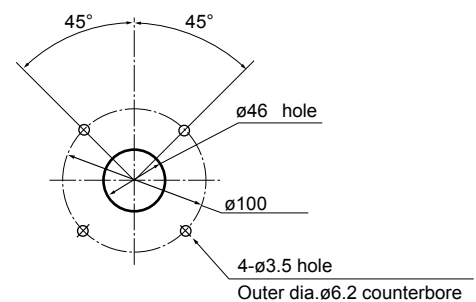
Nomenclature



Standard Dimensions



Panel Arrangements



Note : 4 pcs. of mounting screws (M3 X8) are attached.
 (Unit : mm)

