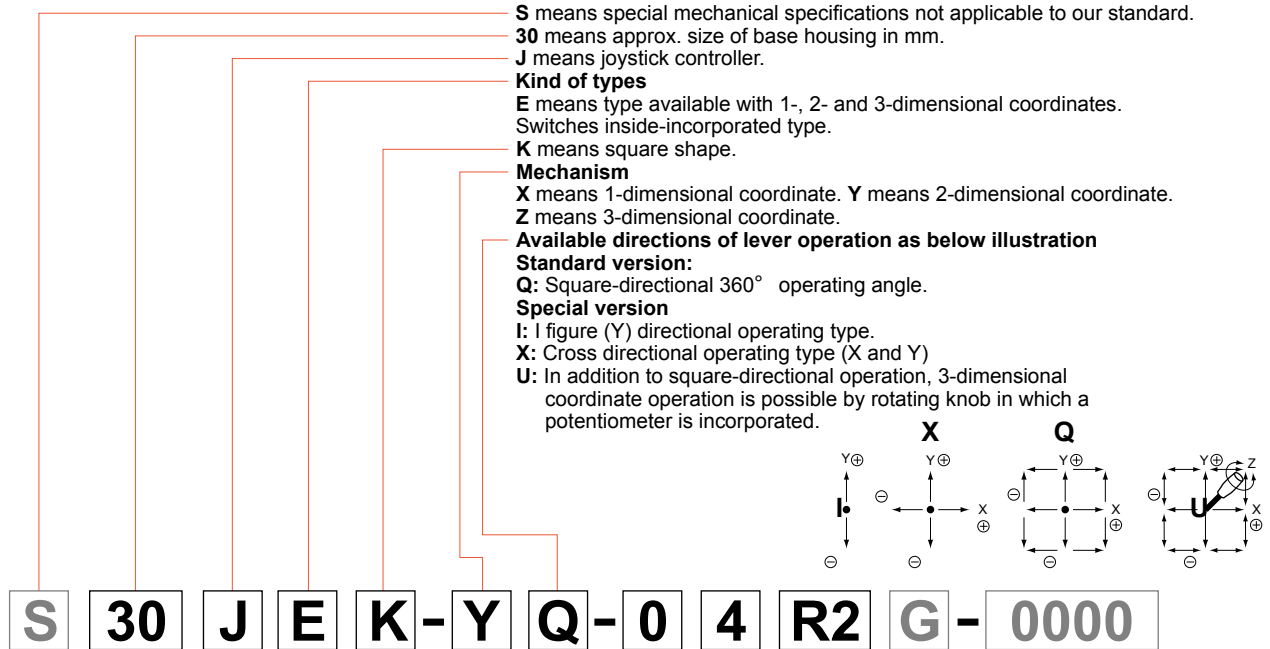




# Model 30JE

## Switch incorporate type

### ■ Nomenclature



**Number of potentiometers to be incorporated .**

**0** no potentiometer incorporated.

**Number of switches to be incorporated.**

**1** switch incorporated. **2** switches incorporated. **3** switches incorporated.

**4** switches incorporated. **5** switches incorporated. **6** switches incorporated.

**With spring return device :** **R1:** with spring return device for 1-dimensional coordinate.

**R2:** with spring return device for 2-dimensional coordinate.

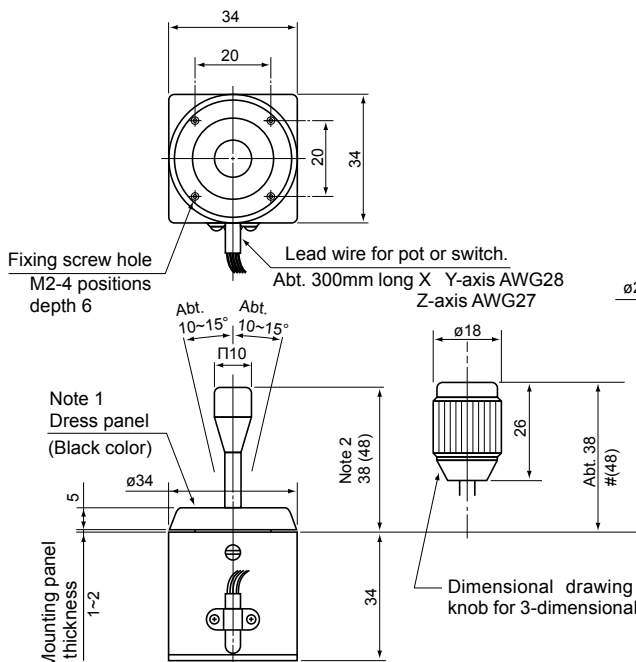
**R3:** with spring return device for 3-dimensional coordinate.

**Mounting accessories :** **G:** with dust proof rubber cover. **P:** with sub-panel for mounting.

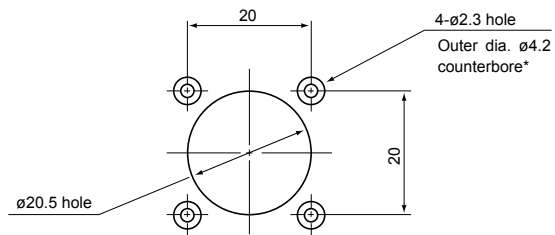
**Special part number :**

In case we produce customized products, we add 4-digit branch number.

### ■ Standard Dimensions



### ■ Panel Arrangements



- Note: 1) In case JC with a dust-proof rubber cover, the counterbore-work (\*part) is not necessary.  
 2) 4 pcs. of mounting screw (M2 X 6) are attached.

Note: In case JC with a dust-proof rubber cover, the shape of dress panel shall be changed.  
 #Numerals in parentheses shows dimensions of Dust-proof rubber cover.

(Unit : mm)

## ■ Standard Specifications

### Model 30JE Series (Switch inside-incorporated type)

#### Mechanical Performance

##### Controlling range of operating lever :

X and Y directions: Approx.  $\pm 10^\circ \sim \pm 15^\circ$  from center position.

Z direction: Approx.  $\pm 30^\circ \sim \pm 35^\circ$  from center position.

##### Operating force (Standard spring return device): Automatically return to center

X and Y directions : Approx. 0.8~2N (80~200gf)

Z direction: Approx. 15~60mN·m (150~600gf·cm)

##### Operating temperature range: $-20^\circ\text{C} \sim +65^\circ\text{C}$

Vibration : 10~55Hz 98m/s<sup>2</sup>

Shock : 294m/s<sup>2</sup>

Life expectancy : Approx. 1,000,000 operations.

Mass : 2-dimensional coordinate type : Approx. 80g

3-dimensional coordinate type : Approx. 100g

#### Electrical Performance

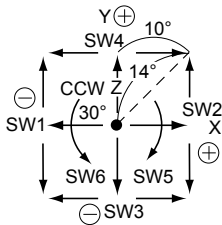
Switches used : Rating 24V.D.C.,  
50mA (Resistance load)

[In case of 3-dimensional coordinate and Z-axis switch-inside-knob incorporated type U, the ratings are 24V.D.C., 100mA.]

Dielectric strength : 1 minute at 500V.A.C.

Insulation resistance : Over 100M $\Omega$  at 250V.D.C.

#### Terminal Connection Diagram



Switches of each axis will be "on" at both end of each axis.

Note 1) Terminals shall be lead-wire terminals with approx. 300mm long. (AWG28) 2)

Colors of micro-switch connection leads are shown in parenthesis.

(For X-axis) SW1 (green 2 leads): ON up to - directional end from center position

SW2 (white 2 leads): ON up to + directional end from center position

(For Y-axis) SW3 (yellow 2 leads): ON up to - directional end from center position

SW4 (red 2 leads): ON up to + directional end from center position

(For Z-axis) SW5 (orange 2 leads): ON up to CW directional end from center position

SW6 (gray 2 leads): ON up to CCW directional end from center position



**30JEK-YQ-04R2**  
(Standard)

(2-dimensional coordinate type)



**30JEK-ZU-06R3**  
(Standard)

(3-dimensional coordinate type)

## ALTHERIS bv

Scheveningseweg 15  
2517 KS DEN HAAG  
The Netherlands

+31 (0)70 3924421

+31 (0)70 3644249

Offices in : Benelux | Germany | France | UK | Italy | USA

www.altheris.com

sales@altheris.nl

LEADERS IN SENSORS & HEAVY DUTY JOYSTICKS

**ALTHERIS**  
SENSORS & CONTROLS