

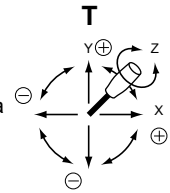


# Model 30JH Low-cost 3-dimensional coordinate type

## Potentiometer with a conductive plastic resistive element

### Nomenclature

- S** means special mechanical specifications not applicable to our standard.
- 30** means approx. size of base housing in mm.
- J** means joystick controller.
- Kind of types**
- H** means 3-dimensional coordinate and low-cost type.
- K** means square shape.
- Mechanism**
- Z** means mechanisms of 3-dimensional coordinate type.
- Available directions of lever operation**
- T**: In addition to omni-directional operation, 3-dimensional coordinate operation is possible by rotating knob in which a potentiometer is incorporated.



**S** **30** **J** **H** **K-Z** **T-3** **0** **R3** **G-0000**

**Number of potentiometers to be incorporated.**

**2** potentiometers incorporated (in case of the knob with an incorporated switch.)

**3** potentiometers incorporated.

**Number of Switches to be incorporated.**

**0**no switch incorporated.

**2** switches incorporated (These switches are active at the both ends of Z axis. These switches are incorporated inside Z-axis instead of potentiometer. This is special version. )

**With spring return device :**

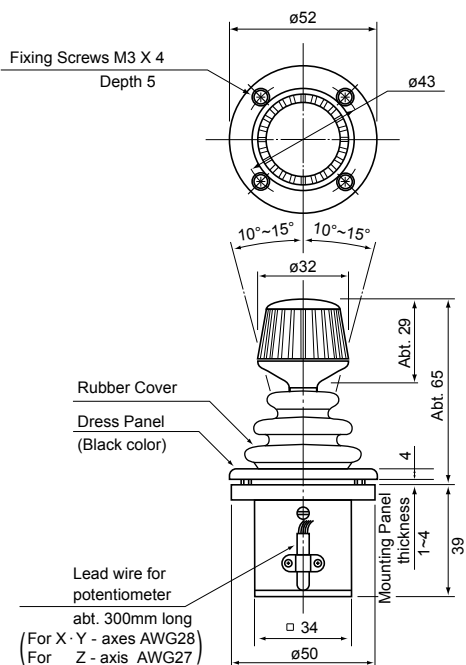
**R3** : with spring return device for 3-dimensional coordinate type. (30JH standard option)

**Mounting accessories :** **G**: with dust proof rubber cover. (30JH standard option) **P**: with sub-panel for mounting.

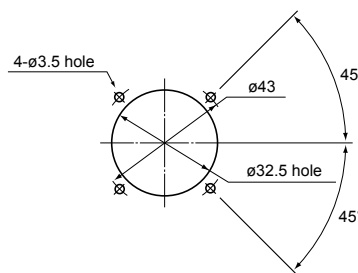
**Special part number :**

In case we produce customized products, we add 4-digit branch number.

### Standard Dimensions



### Panel Arrangements



- Note: 1) 4 pcs. of mounting screws (M3 X 8) are attached.
- 2) Fastening torque of fixing screws shall be below 400mN·m(4kgf·cm)

(Unit : mm)

