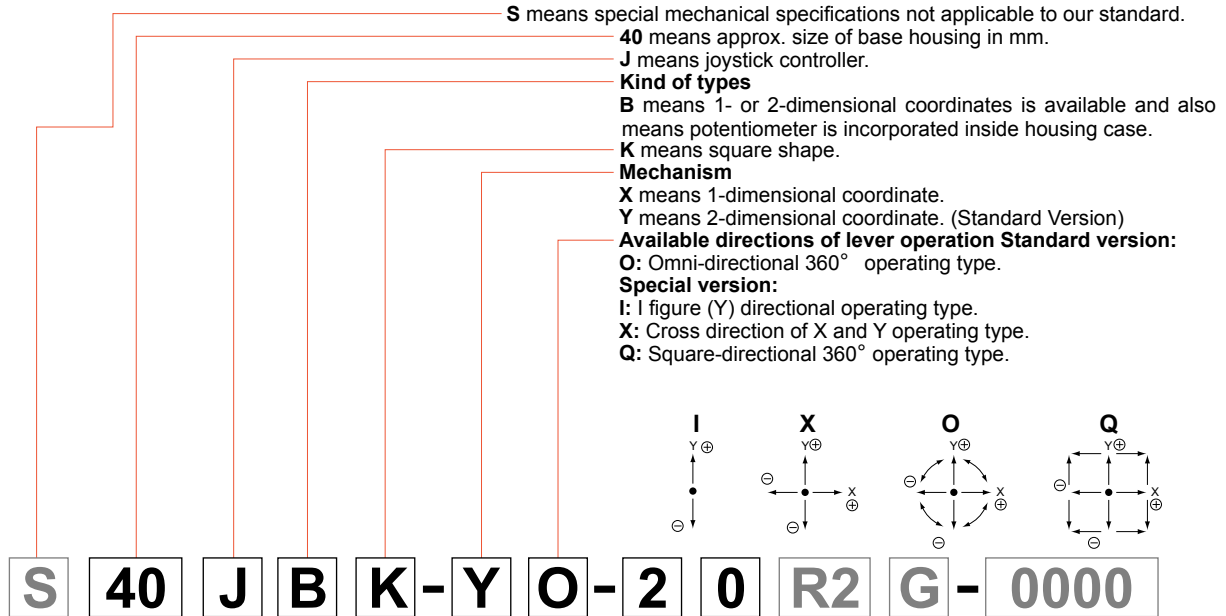




Model 40JB Potentiometer inside-corporated type

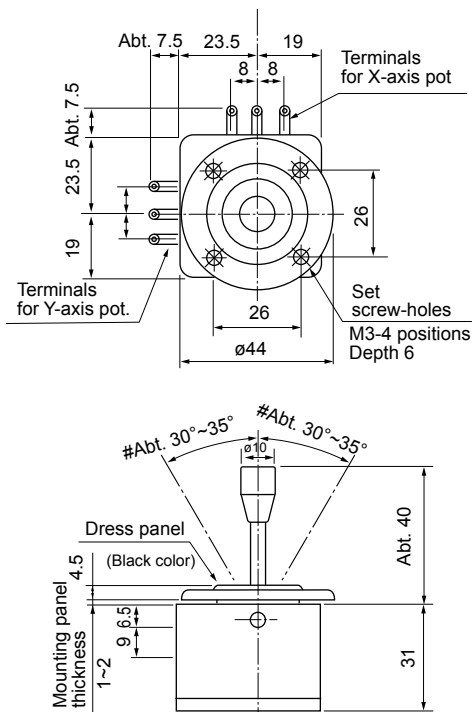
Potentiometer with a conductive plastic resistive element

Nomenclature

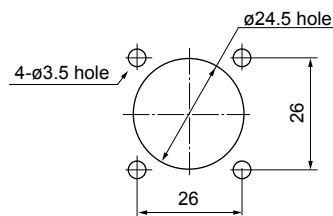


Number of potentiometers to be incorporated.
 1 potentiometer incorporated.
 2 potentiometers incorporated.
Number of switches to be incorporated.
 0 no switch incorporated. 1 switch incorporated.
With spring return device :
R1 : with spring return device for 1-dimensional coordinate.
R2 : with spring return device for 2-dimensional coordinate.
Mounting accessories :
G : with dust proof rubber cover.
P : with sub-panel for mounting.
Special part number :
 In case we produce customized products, we add 4-digit branch number.

Standard Dimensions



Panel Arrangements



- Note: 1. In case of type Q, the angle of mark '#' becomes 360° square-directionally and ±20°~±25° from center position.
 2. 4 pcs. of mounting screw (M3 X 8) are attached.

(Unit : mm)

■ Standard Specifications

Mechanical Performance

Controlling range of operating lever :

- 2-dimensional coordinate type.

Omni-directionally approx. $\pm 30^\circ \sim \pm 35^\circ$ from center position.

Operating force :

Standard : Approx. 0.2~0.6N (20~60gf.)

High torque type : Approx. 0.7~1.5N (70~150gf.)

With spring return device (omni-directional type) : Approx. 0.6~3N (60~300gf.)

Operating temperature range: $-20^\circ\text{C} \sim +65^\circ\text{C}$

Vibration : 10~55Hz 98m/s^2

Shock : 294m/s^2

Life expectancy : Approx. 5,000,000 operations.

Mass : Without spring return device : Approx. 160g

With spring return device : Approx. 180g



40JBK-YO-20
(Standard)
(2-dimensional coordinate type)

Electrical Performance

Potentiometers incorporated : Special conductive plastic resistive element is exclusively used for 40JB series.

Total resistance value : $10\text{k}\Omega \pm 15\%$

Rating : 0.2W

Electrical rotating angle : Approx. 60°

Independent linearity tolerance $\pm 3\%$

[All terminals can be fitted with AMP110 series fasten receptacle (2.8 X 0.5mm) or equivalents]

Output smoothness : Below 0.2% against input voltage.

Contact resistance variation : Below 5% C.R.V.

Resolution : Essentially infinite

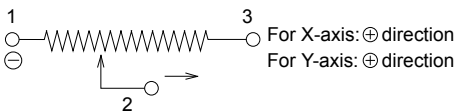
Dielectric strength : 1 minute at 500V.A.C.

Insulation resistance : Over 1,000M Ω at 500V. D.C.



40JBK-YO-20R2G
(2-dimensional coordinate type
with dust proof rubber cover
and spring return device)

Terminal Connection Diagram



LEADERS IN SENSORS & HEAVY DUTY JOYSTICKS

ALTHERIS bv

Scheveningseweg 15
2517 KS DEN HAAG
The Netherlands

+31 (0)70 3924421

+31 (0)70 3644249

Offices in : Benelux | Germany | France | UK | Italy | USA

www.altheris.com

sales@altheris.nl

ALTHERIS
SENSORS & CONTROLS