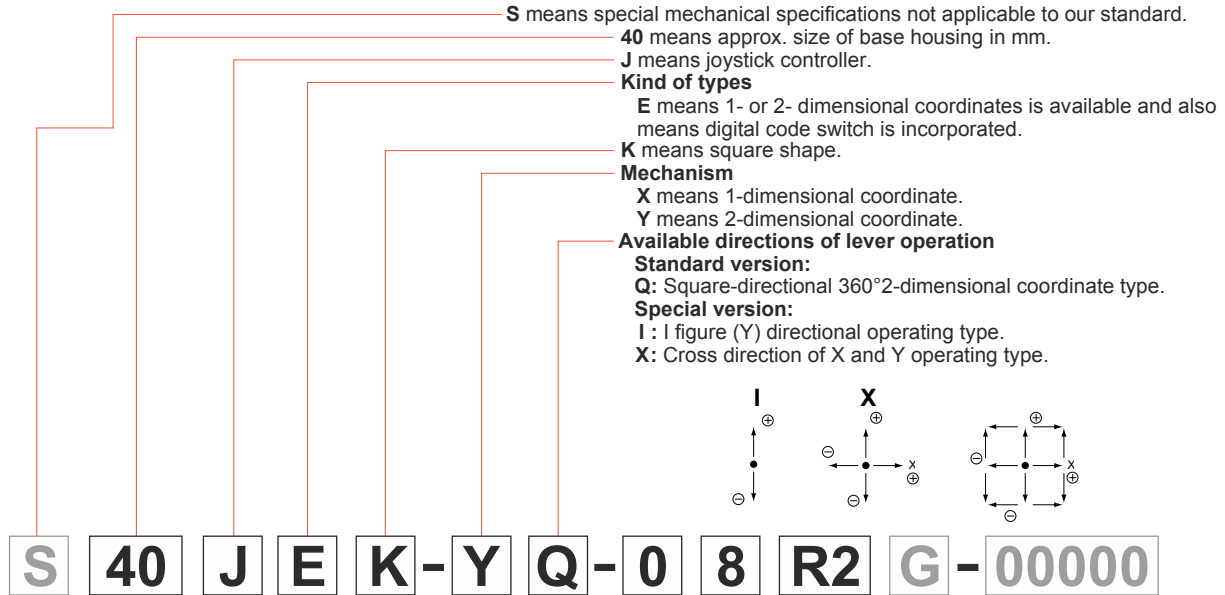




Model 40JE

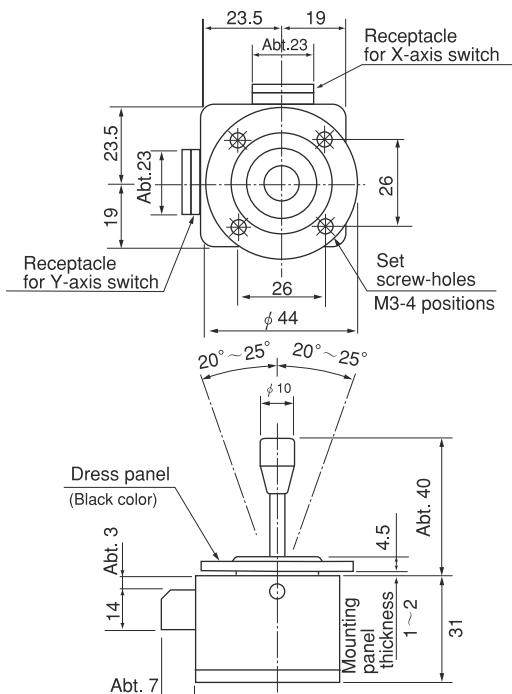
Digital code switch incorporated type
Potentiometer with a conductive plastic resistive element

Nomenclature

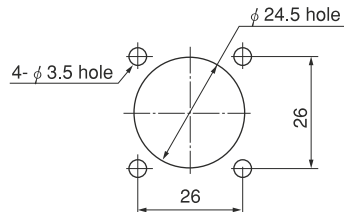


- Number of potentiometers to be incorporated.**
 0... no potentiometer incorporated. (No.potentiometer function available)
Number of switches to be incorporated.
 7 ...4bit Gray Digital code switch incorporated.
 8 ...4bit Binary Digital code switch incorporated.
 75 ...5bit Gray Digital code switch incorporated.
With spring return device :
R1 : with spring return device for 1-dimensional coordinate.
R2 : with spring return device for 2-dimensional coordinate.
Mounting accessories :
G : with dust proof rubber cover.
P : with sub-panel for mounting.
Special part number :
 In case we produce customized products, we add 4-digit or 5-digit branch number.

Standard Dimensions



Panel Arrangements



Note : 1) In case of type Q, the angle of mark "※" becomes 360° square-direction and $\pm 20^\circ \sim \pm 25^\circ$ from center position.
 2) 4 pcs. of mounting screw (M3 X 8) are attached.

(Unit : mm)

Standard Specifications

Model 40JE Series (Switch inside-incorporated type)

Mechanical Performance

Controlling range of operating lever :

2-dimensional coordinate type : 360° and square-directionally approx. $\pm 20^\circ \sim \pm 25^\circ$ operation from center position.

Operating Force : Standard spring return device : Automatically return to center : Approx. 1.6~ 3N (160~ 300gf)

Operating temperature range : - 20° C~+ 65° C

Vibration : 10~ 55Hz 98m/s²

Shock : 294m/s²

Life expectancy : Approx. 5,000,000 operations.

Mass : Approx. 180g

Electrical Performance

Switches used : Rating 12V.D.C. below 1mA

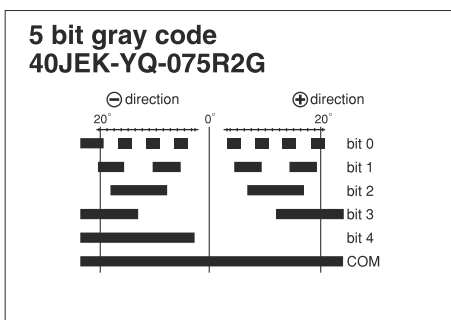
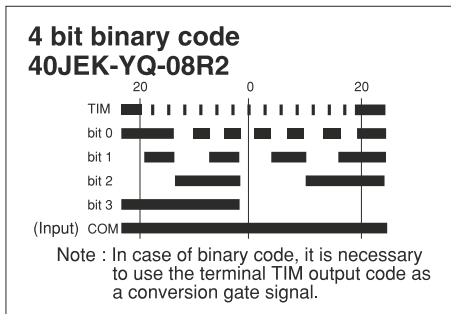
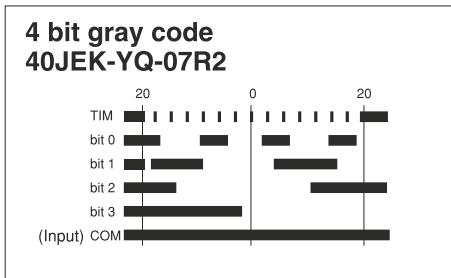
Contact resistance : Below 300m Ω

Dielectric strength : 1 minute at 500V.A.C.

Insulation resistance : Over 100M Ω at 250 V.D.C.

Pattern of Digital Code Switch

When ordering, please specify on which you require gray code or binary code.

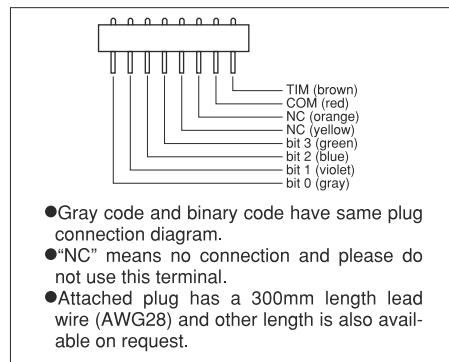


Special Specifications Available

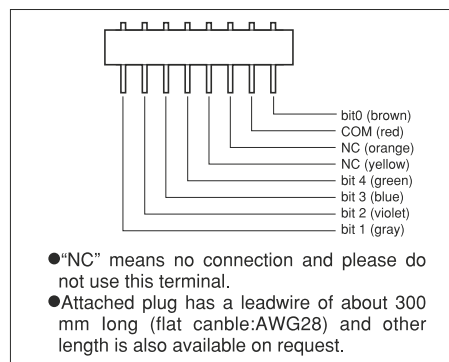
Please see page 47, a table of "Standard and Special Specifications Available".

Plug Connection Diagram

For 4 bit



For 5 bit



40JEK-YQ-07R2 (4 bit gray code)
40JEK-YQ-08R2 (4 bit binary code)
40JEK-YQ-075R2 (5 bit gray code)
(Standard)
(2-dimensional coordinate type)



40JEK-YQ-07R2G (4 bit gray code)
40JEK-YQ-08R2G (4 bit binary code)
40JEK-YQ-075R2G (5 bit gray code)
(2-dimensional coordinate type)
with dust-proof rubber cover)

ALTHERIS bv

Scheveningseweg 15
2517 KS DEN HAAG
The Netherlands

+31 (0)70 3924421

+31 (0)70 3644249

Offices in : Benelux | Germany | France | UK | Italy | USA

www.altheris.com

sales@altheris.nl

LEADERS IN SENSORS & HEAVY DUTY JOYSTICKS

ALTHERIS
SENSORS & CONTROLS