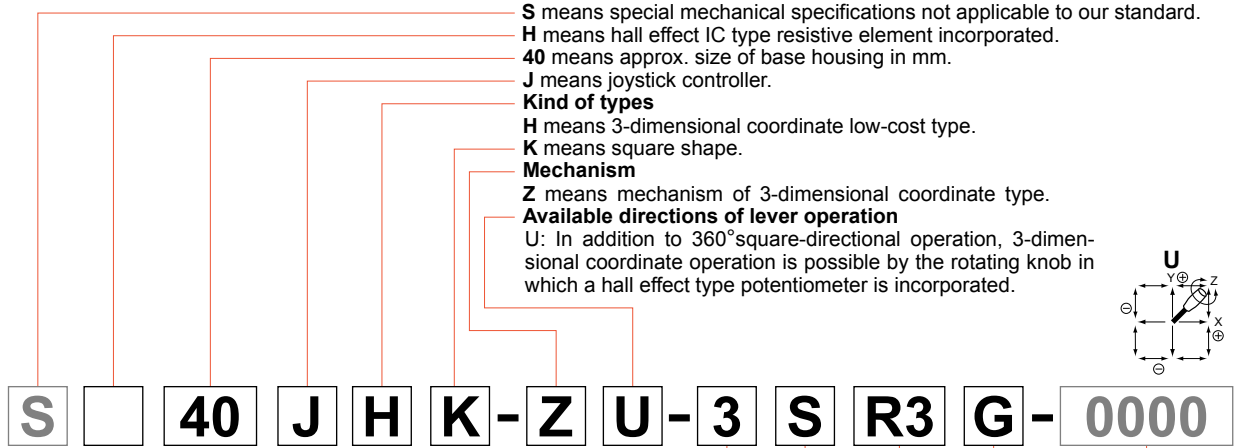




Model H40JH

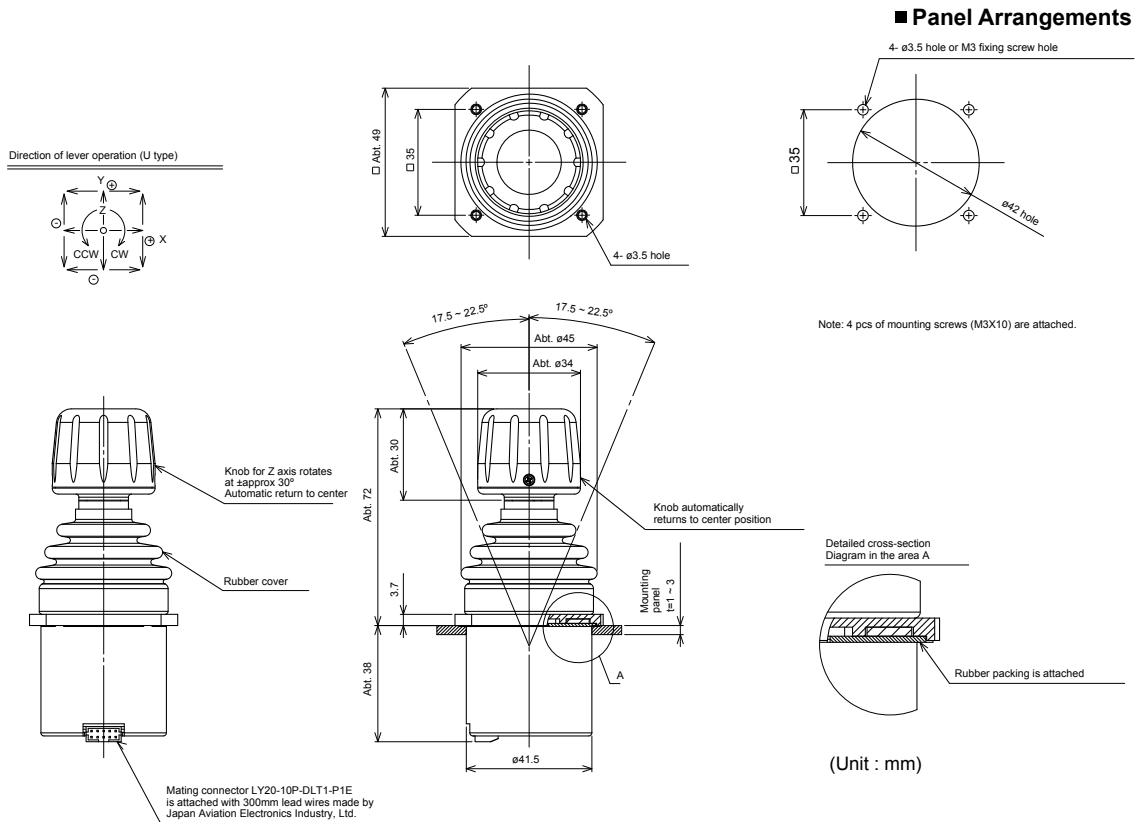
Potentiometer with a hall effect IC type resistive element (3-dimensional coordinate type)

Nomenclature



Number of potentiometers to be incorporated
0 no potentiometer incorporated. **1** potentiometer incorporated.
2 potentiometers incorporated. **3** potentiometers incorporated. **Number of output and kind of output characteristic**
S single output. **X**dual cross output. **P** dual parallel output.
With spring return device:
R3: with spring return device for 3-dimensional coordinate.
Mounting accessories:
G : with dust proof rubber cover.
P : with sub-panel for mounting.
Special part number:
 In case we produce customized products, we add 4-digit branch number.

Standard dimensions



Standard dimensions

Mechanical performance

Controlling range of operating lever: 3-dimensional coordinate type.

X and Y directions: $\pm 17.5^\circ \sim \pm 22.5^\circ$ from center position.

Z direction : $\pm 27.5^\circ \sim \pm 32.5^\circ$ from center position.

Operating force (standard spring return device: Automatically return to center)

X and Y directions: Approx. 1~2N(100~200gf)

Z direction : Approx. 40~60mN·m(400~600gf·cm)

Operating temperature range: $-20^\circ\text{C} \sim +60^\circ\text{C}$

Vibration: 10~55Hz 98m/s²

Shock: 294m/s²

Life expectancy: Approx. 2,000,000 operations.

Mass: Approx. 110g

Electrical performance

Hall effect IC type resistive element incorporated

- Applied voltage: $5\text{V} \pm 10\%$ D.C.

- Effective output: Approx. 0.5V~4.5V

- Electrical rotating angle: X and Y-axis: Approx. $\pm 20^\circ$ Z-axis: Approx. $\pm 30^\circ$

- Independent linearity tolerance: $\pm 3\%$

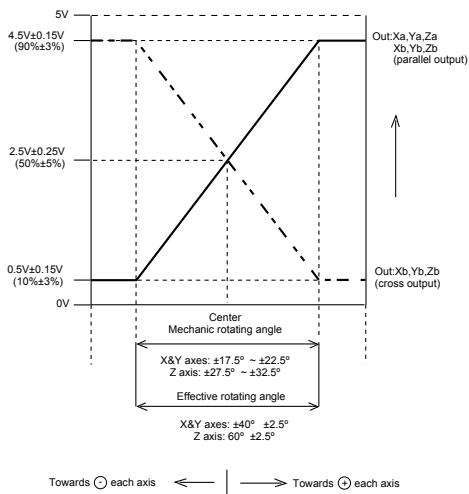
- Load resistance: over 10K Ω

Dielectric strength: 1 minute at 500V.A.C.

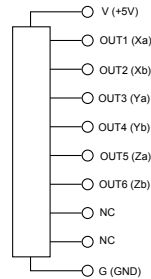
Insulation resistance: Over 1,000M Ω at 500V.D.C.

EMC durability: 100V/m

Output Characteristic



Terminal Connection Diagram



H40JHK-ZU-3SR3G
(Standard)

LEADERS IN SENSORS & HEAVY DUTY JOYSTICKS

ALTHERIS bv

Scheveningseweg 15
2517 KS DEN HAAG
The Netherlands

+31 (0)70 3924421

+31 (0)70 3644249

Offices in : Benelux | Germany | France | UK | Italy | USA

www.altheris.com

sales@altheris.nl

ALTHERIS
SENSORS & CONTROLS