



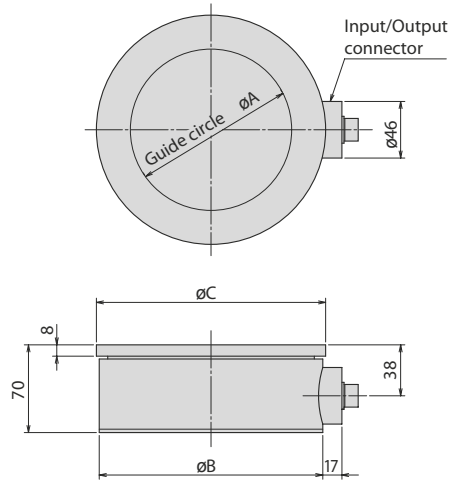
# CLF-NA

## Compression Load Cell 500kN ~ 2MN



The CLF-NA Load Cell is a thin load cell with a flat load bearing surface. It is widely used as a load sensor for industrial machinery, especially when measuring loads on rolling machines or measuring compression force on presses.

Protection ratings : IP 65 equivalent



Force should be applied uniformly to the surface including guide circle.

### ■ Dimensions

Type	A	B	C
CLF-500KNA	95	140	145
CLF-1MNA	130	180	185
CLF-1.5MNA	150	200	205
CLF-2MNA	170	220	225

### ■ Specifications

Type	CLF-500KNA	CLF-1MNA	CLF-1.5MNA	CLF-2MNA
Capacity	500kN	1MN	1.5MN	2MN
Rated Output	2mV/V (4000×10 <sup>-6</sup> strain) ±0.5%			
Non-linearity	0.3%RO			
Hysteresis	0.2%RO			
Temperature effect on zero	0.01%RO/°C			
Temperature effect on span	0.005%/°C			
Compensated temperature range	-10 ~ + 60			
Temperature range	- 20 ~ + 70			
Over load	150%			
Input/output resistance	350Ω±5%			
Recommended exciting voltage	Less than 10V			
Allowable exciting voltage	20V			
Zero balance	5%RO			
Weight	6kg	8kg	10kg	13kg

Supplied cable : CT9-4N10/WP-STB (ø9mm 0.5mm<sup>2</sup> 4-core shielded chloroprene cable 10m)

LEADERS IN SENSORS & HEAVY DUTY JOYSTICKS

### ALTHERIS bv

Scheveningseweg 15  
 2517 KS DEN HAAG  
 The Netherlands

☎ +31 (0)70 3924421

☎ +31 (0)70 3644249

Offices in : Benelux | Germany | France | UK | Italy | USA

🌐 www.altheris.com

✉ sales@altheris.nl

