



# KCM-NA

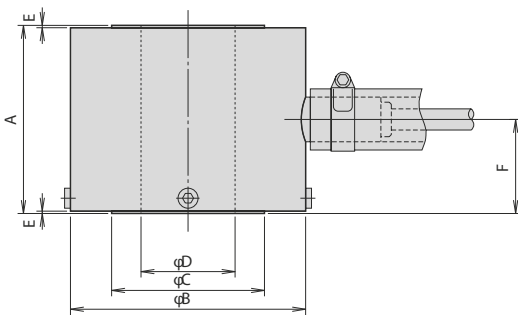
## Center-hole type Compression Load Cell 50kN ~ 5MN



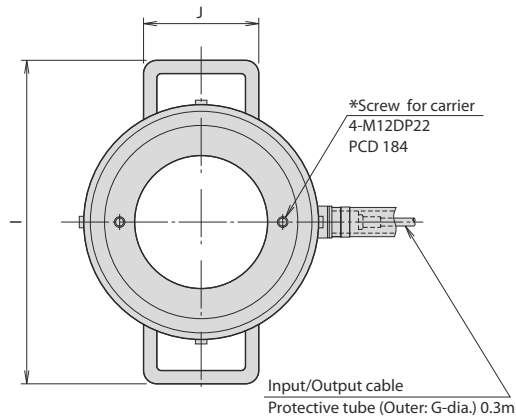
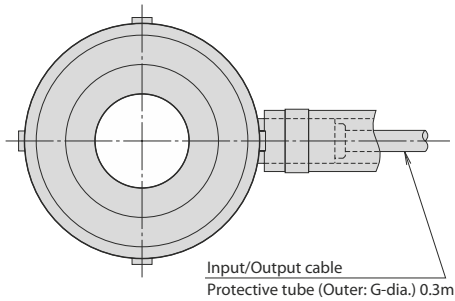
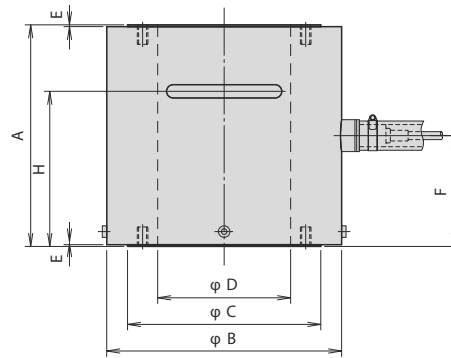
The KCM-NA Load Cell is a center-hole-type load cell with a strain gauge mounted on a cylindrical strain sensing element. It is used to measure prestress or tension force on ground anchors, pullout testing and measuring axial force on tie rods. The model is especially well suited for measuring on site.

Protection ratings : IP 67 equivalent

KCM-50KNA 1MNA



KCM-2 5MNA



### ■ Dimensions

Type	A	B	C	D	E	F	G	H	I	J
KCM-50KNA	50	50	22	15	1	29	26	-	-	-
KCM-100KNA	60	60	30	20	1	33	26	-	-	-
KCM-200KNA	70	70	44	30	1	35	26	-	-	-
KCM-300KNA	80	85	53	35	1	40	26	-	-	-
KCM-500KNA	80	100	65	40	1	40	26	-	-	-
KCM-1MNA	120	130	94	60	2	60	33	-	-	-
KCM-2MNA	160	170	135	90	2	80	33	110	234	124
KCM-3MNA	195	205	169	115	2	97.5	33	130	285	124
KCM-5MNA	250	265	218	150	2	125	33	175	365	130

\*Applied to KCM-5MNA

## ■ Specifications

Type	KCM-50KNA	KCM-100KNA	KCM-200KNA	KCM-300KNA	KCM-500KNA	KCM-1MNA	KCM-2MNA	KCM-3MNA	KCM-5MNA
Capacity	50kN	100kN	200kN	300kN	500kN	1MN	2MN	3MN	5MN
Rated Output	1.5mV/V (3000×10 <sup>-6</sup> strain) ±10%								
Non-linearity	0.5% R O						1% R O		
Hysteresis	0.5% R O						1% R O		
Temperature effect on zero	0.1%RO/°C								
Temperature effect on span	0.05%/°C								
Compensated temperature range	- 10 ~ + 60								
Temperature range	- 20 ~ + 70								
Over load	150%								
Input/output resistance	350Ω±1%								
Recommended exciting voltage	Less than 10V								
Allowable exciting voltage	20V								
Zero balance	5%RO								
Weight	0.8kg	1.1kg	1.4kg	2.0kg	2.8kg	6.2kg	16kg	29kg	55kg

Input/output cable : ø9mm 0.5mm<sup>2</sup> 4-core shielded chloroprene cable 5m

LEADERS IN SENSORS & HEAVY DUTY JOYSTICKS

### ALTHERIS bv

Scheveningseweg 15  
2517 KS DEN HAAG  
The Netherlands

☎ +31 (0)70 3924421

☎ +31 (0)70 3644249

Offices in : Benelux | Germany | France | UK | Italy | USA

🌐 www.altheris.com

✉ sales@altheris.nl

**ALTHERIS**  
SENSORS & CONTROLS