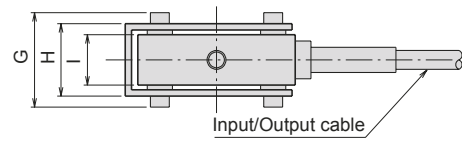
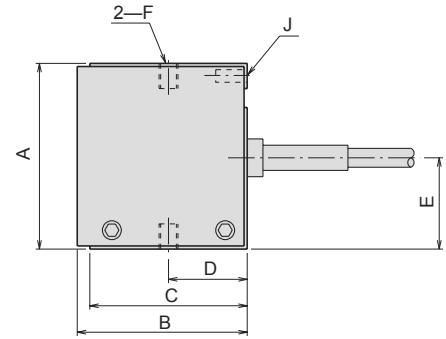




# TCLZ-NA

## Tension/Compression Universal Load Cell 10N ~10kN



The TC LZ -NA Tension/Compression Universal Load Cell is a high precision load cell that is compact and light weight. With its beam type internal structure, it is widely used as a sensor For controlling industrial machinery.

Protection ratings : IP 41 equivalent

### ■ Specifications

Type	TCLZ -10NA	TCLZ -20NA	TCLZ -50NA	TCLZ -100NA	TCLZ -200NA	TCLZ -500NA	TCLZ -1KNA	TCLZ -2KNA	TCLZ -5KNA	TCLZ -10KNA
Capacity	10N	20N	50N	100N	200N	500N	1kN	2kN	5kN	10kN
Rated Output	1mV/V (2000×10 <sup>-6</sup> strain) ± 0.5%		1.5mV/V (3000×10 <sup>-6</sup> strain) ± 0.5%			2mV/V (4000×10 <sup>-6</sup> strain) ± 0.5%				
Non-linearity	0.05% RO					0.03% RO				0.05% RO
Hysteresis	0.05% RO					0.03% RO				0.05% RO
Temperature effect on zero	0.01% RO/ °C					0.005% RO/ °C				
Temperature effect on span						0.005%/°C				
Compensated temperature range						-10 ~ +60°C				
Temperature range						-20 ~ +70°C				
Over load						150%				
Input/output resistance	350Ω±2%		350Ω±1%							
Recommended exciting voltage						Less than 6V				
Allowable exciting voltage						15V				
Zero balance						5%RO				
Input/Output cable	Φ3mm 0.05mm <sup>2</sup> 4-core shielded chloroprene cable 5m		Φ6mm 0.35mm <sup>2</sup> 4-core shielded chloroprene cable 5m							
Weight	0.2kg	0.2kg	0.1kg	0.1kg	0.1kg	0.4kg	0.4kg	0.4kg	0.6kg	0.6kg

## ■ Fitting accessories

Type	Rotary attachment FD	Rod End FE	Eye Bolt FF	Load Button FG	Shackle FH
TCLZ-10NA~200NA	FD-002	FE-002A	—	FG-002	—
TCLZ-500NA~5KNA	FD-05A	FE-05A	FF-1	FG-05	FH-1B
TCLZ-10KNA	FD-1	FE-1A	FF-1	FG-05	FH-1B

## ■ Dimensions

Type	A	B	C	D	E	F	G	H	I	J
TCLZ-10NA	59	84	80	40	29.5	M6×1 DP8	28	21	14	Ø4mm DP10
TCLZ-20NA	59	84	80	40	29.5	M6×1 DP8	28	21	14	Ø4mm DP10
TCLZ-50NA	59	54	50	25	29.5	M6×1 DP8	30	23	16	Ø4mm DP10
TCLZ-100NA	59	54	50	25	29.5	M6×1 DP8	30	23	16	Ø4mm DP10
TCLZ-200NA	59	54	50	25	29.5	M6×1 DP8	30	23	16	Ø4mm DP10
TCLZ-500NA	67	54	50	25	33.5	M12×1.75 DP12	34	27	20	Ø6mm DP12
TCLZ-1KNA	67	54	50	25	33.5	M12×1.75 DP12	34	27	20	Ø6mm DP12
TCLZ-2KNA	67	54	50	25	33.5	M12×1.75 DP12	34	27	20	Ø6mm DP12
TCLZ-5KNA	75	60	56	28	37.5	M12×1.75 DP14	34	27	20	Ø6mm DP12
TCLZ-10KNA	75	60	56	28	37.5	M12×1.75 DP14	34	27	20	Ø6mm DP12

### ALTHERIS bv

Scheveningseweg 15  
2517 KS DEN HAAG  
The Netherlands

+31 (0)70 3924421

+31 (0)70 3644249

Offices in : Benelux | Germany | France | UK | Italy | USA

[www.altheris.com](http://www.altheris.com)

[sales@altheris.nl](mailto:sales@altheris.nl)

LEADERS IN SENSORS & HEAVY DUTY JOYSTICKS

**ALTHERIS**  
SENSORS & CONTROLS