



E540/E541 Incremental encoders

Incremental rotary encoders, with or without zero pulse, with 58 mm diameter round flange, 36 mm diameter centering mask and 3 M4 fixing holes on diameter 48 mm.



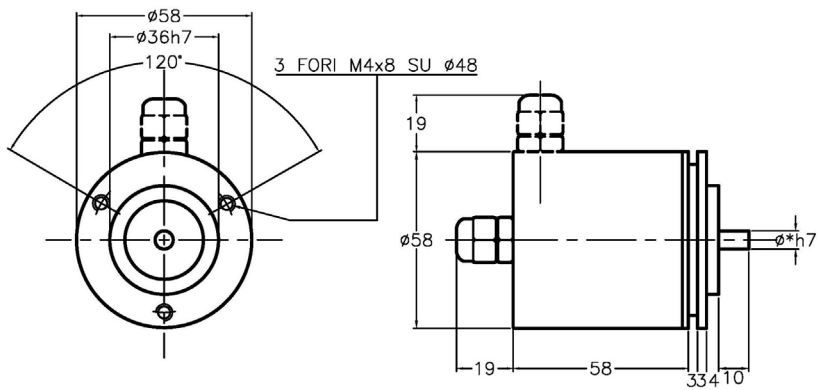
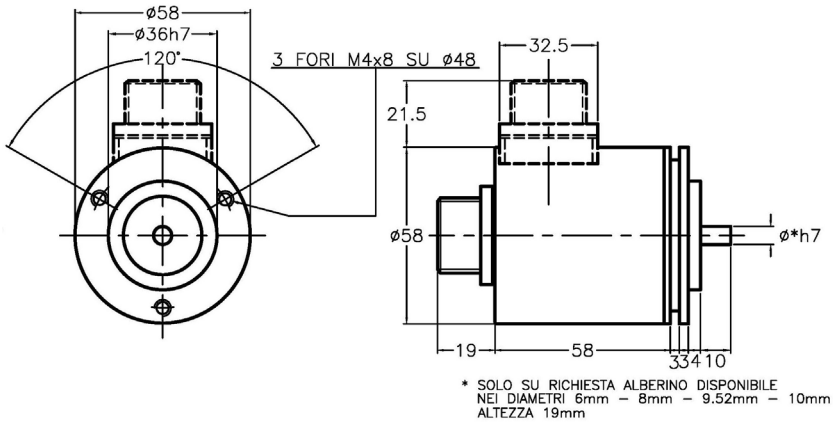
■ Mechanical and environmental specifications

Dimensions	See the drawing
Weight	E540 290 g RE540 330 g
Materials: case	E540 ABS self-extinguishing / RE540 aluminium
shaft	stainless steel
Shaft diameter	6 - 8 - 9.52 - 10 mm
Revolutions per minute	6000* continuous 10000 temporary
	*Max operating speed with IP65 sealing ring applied on the shaft: 3000 rpm
Starting torque	≤0,8 Ncm
Inertia	≤25 g cm ²
Max. load	80N axial - 100N radial
Resistance to vibrations (10÷2000 Hz)	100 m/sec ²
Shock resistance (11 ms)	50 G
Protection degree	IP64 (optional IP65)
Operating temperature	0 ÷ 70°C
Stocking temperature	-20 ÷ 80°C

■ Electrical and operating specifications

Pulse code	Incremental
Pulses/revolution	2 ÷ 36000
Zero reference pulse	1 pulse each revolution
Output signals	Two square waves 90° ±15° out of phase Zero pulse 90° ±15° wide
Electronic output	push-pull, line driver, open collector NPN or PNP, pull-up resistor NPN or PNP protection against short circuits
Supply	10÷24Vdc o 5 Vdc±5% protection against polarity reversal
Current consumption	30÷80 mA
Max frequency	100÷200 KHz
Connection outlets	Axial or radial connector type MS 7p (10p for line driver output) Axial or radial cable 3 m long (1 m for line driver output)

■ Dimensions



LEADERS IN SENSORS & HEAVY DUTY JOYSTICKS

ALTHERIS bv

Scheveningseweg 15
2517 KS DEN HAAG
The Netherlands

+31 (0)70 3924421

+31 (0)70 3644249

Offices in : Benelux | Germany | France | UK | Italy | USA

www.altheris.com

sales@altheris.nl

ALTHERIS
SENSORS & CONTROLS