

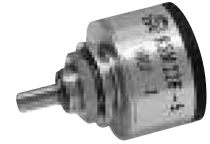
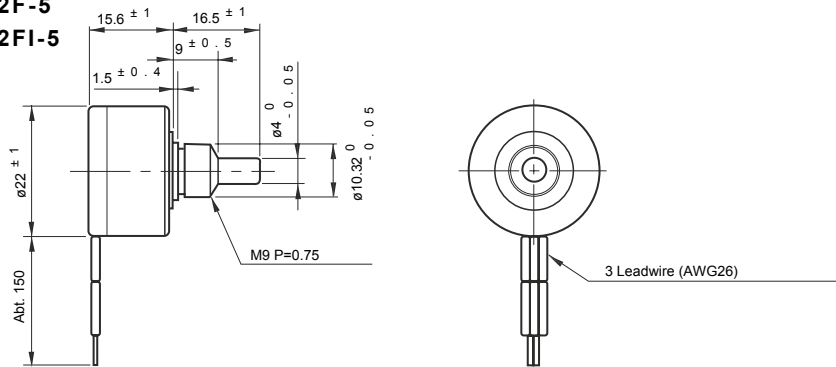


KSM22F

Inductance type (Bushing mount servomount)

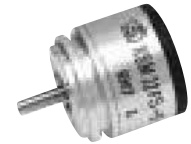
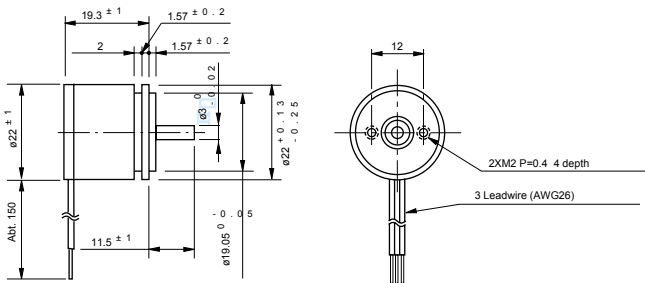
Standard dimensions

Model **KSM22F-5**
KSM22FI-5



Model **KSM22F-5**

Model **KSM22FS-5**



Model **KSM22FS-5**

Note: The relationship between the tapping hole's position (2XM2) and the leadwire's position is almost equal to those shown in the above drawing

- **Standard Model Nos.**
- Bushingmount type:**
 KSM22F-5
 KSM22FI-5
- Servomount type:**
 KSM22FS-5

General Specifications

Model no.	KSM22F	KSM22FI	KSM22FS
Current Consumption		Approx. 3.5mA	
Independent Linearity Tolerance		±0.5%F.S (FS=100°)	
Mechanical rotating angle		360° (Endless)	
Effective electrical angle		±50° (100°)	
Applied voltage		5V.D.C.	
Load resistance		1 0k Ω min.	
Output voltage range		Approx. 10%~90% Vin-FS (FS=100°)	
Output temperature characteristic		Within ±2.5% Vout-FS	
Drift at center position		Within ±0.5% Vout-FS	
Operating temperature range		-40°C~+105°C	
Storage temperature range		-40°C~+105°C	
Mass		Approx. 15g	
Starting torque mN·m (gf·cm)	Within 1 (10)	Within 3 (30)	Within 0.2 (2)

■ Environmental Specifications

Model no.	KSM22F	KSM22FI	KSM22FS
Thermal shock	5 cycles -50°C~+105°C		
Exposure at low temperature	24 hours at -50°C		
Exposure at high temperature	1,000 hours at +105°C		
Moisture resistance	40°C	95%RH	120 hours
Vibration	10~2,000Hz	196m/s ²	12 hours
Shock	980 m/s ² (18 times)		
Life expectancy (shaft revolutions)	Approx. 100,000,000	Approx. 10,000,000	Approx. 200,000,000

■ Special Specifications available

Special applied voltage (possible to meet with from 3V.D.C. to 10V.D.C.), special effective electrical rotating angle (possible to meet with from ±25° to ±80°, in case of 60° of 80°, independent linearity tolerance becomes within ±1.0%), special machining on the shaft.

ALThERIS bv

Scheveningseweg 15
2517 KS DEN HAAG
The Netherlands

☎ +31 (0)70 3924421

☎ +31 (0)70 3644249

Offices in : Benelux | Germany | France | UK | Italy | USA

🌐 www.altheris.com

✉ sales@altheris.nl

LEADERS IN SENSORS & HEAVY DUTY JOYSTICKS

ALThERIS
SENSORS & CONTROLS