



Model 46HD

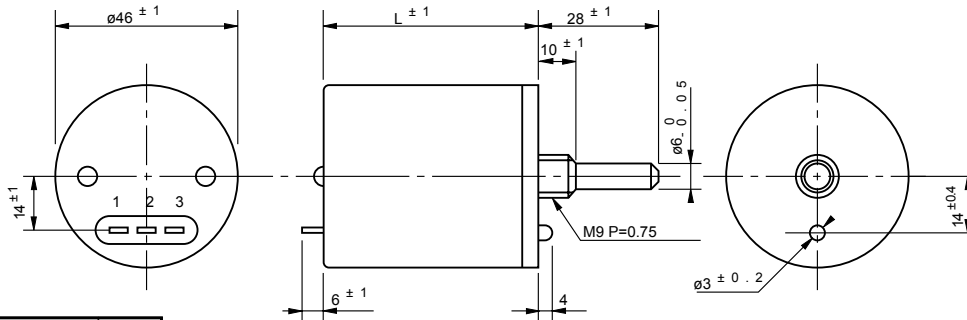
Wirewound (Bushingmount Servomount)

Standard dimensions



Model 46HD-10

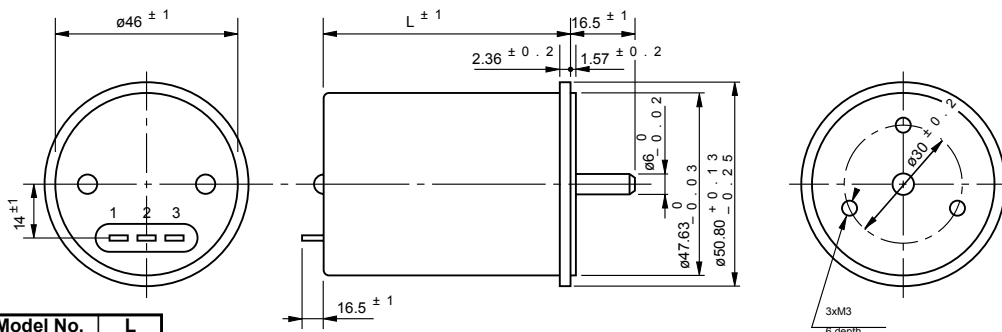
Bushingmount type



Model No.	L
46HD-3	38.5
46HD-5	
46HD-10	56
46HD-15	75
46HD-20	94.5

- Note: 1. 1pc. each inner teeth washer and hex nut are attached.
 2. Please process the mounting hole on the panel to be mounted with this potentiometer by the diameter of 10.32mm

Servomount type



Model No.	L
46HDS-3	43.5
46HDS-5	
46HDS-10	61.5
46HDS-15	80
46HDS-20	100

Standard Model Nos.

Bushingmount type:

- 46HD-3 (3-turn)
- 46HD-5 (5-turn)
- 46HD-10 (10-turn)
- 46HD-15 (15-turn)
- 46HD-20 (20-turn)

Servomount type:

- 46HDS-3 (3-turn)
- 46HDS-5 (5-turn)
- 46HDS-10 (10-turn)
- 46HDS-15 (15-turn)
- 46HDS-20 (20-turn)

■ General Specifications

Standard Resistance

Range:	10Ω to 20kΩ (3-turn)
	20Ω to 50kΩ (5-turn)
	50Ω to 100kΩ (10,15-turn)
	50Ω to 200kΩ (20-turn)

Max. Practical

Resistance Value:	50kΩ, 100kΩ (3-turn)
	100kΩ (5-turn)
	200kΩ (10,15-turn)
	500kΩ (20-turn)

Total Resistance

Tolerance:	Standard Class ±3%(H)
	[±5%(J) in case of within 1kΩ]
	Precision Class ±1%(F)
	[in the pot. with a single wire resistive element, the precision class should read ±2%(G)]

Independent Linearity

Tolerance:	3, 10, 15
	5-turn 20-turn
Standard Class	±0.4% ±0.3%
Precision Class	±0.2% ±0.1%
(within 5kΩ)	(±0.25%) (±0.15%)

Power Rating:

2.0W (3-turn)
2.5W (5-turn)
5.0W (10-turn)
7.5W (15-turn)
10.0W (20-turn)

Noise:

Within 100Ω E.N.R.

Electrical Travel:

360° Xn ±5° (n: No. of turns)

Mechanical Travel:

360° Xn ^{+10°}_{0°} (n: No. of turns)

Insulation Resistance:

Over 100 MΩ at 1,000 V.D.C.

Dielectric Strength:

1 minute at 1,000 V.A.C.

Starting Torque:

Within 20mN·m (200gf·cm)
(Bushing mount type)

Within 10mN·m (100gf·cm)
(Servomount type)

Stopper Strength:

Approx. 0.9N·m (9kgf·cm)

Max. Working Voltage:

900V

Resist. Temperature

±20p.p.m./°C

Coefficient of Wire:

Approx. 90g (3,5-turn)

Approx. 120g (10-turn)

Approx. 150g (15-turn)

Approx. 180g (20-turn)

■ Special Specifications Available

30-turn type (S46HD-30), multi-ganged (available up to 2 gangs), with limit-switches, shaft with front and rear extension (in case of bushing mount type, rear shaft with 6mm dia. and 28mm length together with the bushing of M9 X 10mm and in case of servomount type, rear shaft with 6mm dia. and 15mm length), shaft dia. (ø6.35mm) · bushing with inch dimensions, simple sealed housing, oil-filled type (OF46HD), special machining on the shaft.

■ Standard Resistance Values | No. Of Wire Turns | Resistance Wire Used

Resist. Value (Ω)	10	20	50	100	200	500	1k	2k	5k
46HD-3	5 5 6	6 9 0	9 5 0	1, 1 9 0	1, 5 1 5	2, 0 8 0	2, 5 5 0	—	—
46HD-5	※	9 2 5	1, 2 7 5	1, 6 4 0	2, 0 8 0	2, 8 6 0	3, 4 5 0	—	—
46HD-10	※	※	2, 0 0 0	2, 5 0 0	3, 1 8 0	4, 3 5 0	5, 4 0 0	6, 8 5 0	—
46HD-15	※	※	2, 5 3 0	3, 2 2 0	4, 1 6 0	5, 7 1 0	7, 4 1 0	9, 5 1 0	—
46HD-20	※	※	3, 0 3 0	3, 9 2 0	5, 1 2 0	7, 1 4 0	9, 3 0 0	11, 9 0 0	14, 1 0 0
Resist. Wire used	Cu-Ni System								

Resist. Value (Ω)	2k	5k	10k	20k	50k	100k	200k	500k
46HD-3	2, 3 3 0	3, 2 2 5	4, 0 8 0	5, 1 3 0	6, 8 9 0 *	8, 3 3 0 *	-	-
46HD-5	3, 2 3 0	4, 1 7 0	5, 7 2 0	7, 4 1 0	11, 0 0 0	12, 5 0 0 *	-	-
46HD-10	-	6, 6 0 0	8, 5 5 0	10, 8 5 0	14, 9 0 0	18, 8 5 0	24, 3 9 0 *	-
46HD-15	-	8, 8 0 0	11, 3 0 0	14, 5 0 0	20, 0 0 0	25, 6 0 0	32, 2 5 0 *	-
46HD-20	-	-	13, 1 5 0	16, 9 5 0	23, 2 5 0	30, 7 9 0	38, 2 0 0	55, 5 5 0 *
Resist. Wire used	Ni-Cr System							

Note: Mark ※ shows the pot. with a single-wire resistive element, which gives an essentially infinite resolution

Mark ※ shows value at special higher practical resistance

■ S46HD Series with LIMIT-SWITCHES

Special 46HD Series Helicalohm potentiometer with incorporated Limit-switch can automatically control the circuit. It can conveniently be used for minifying the instrument in which this model is employed.

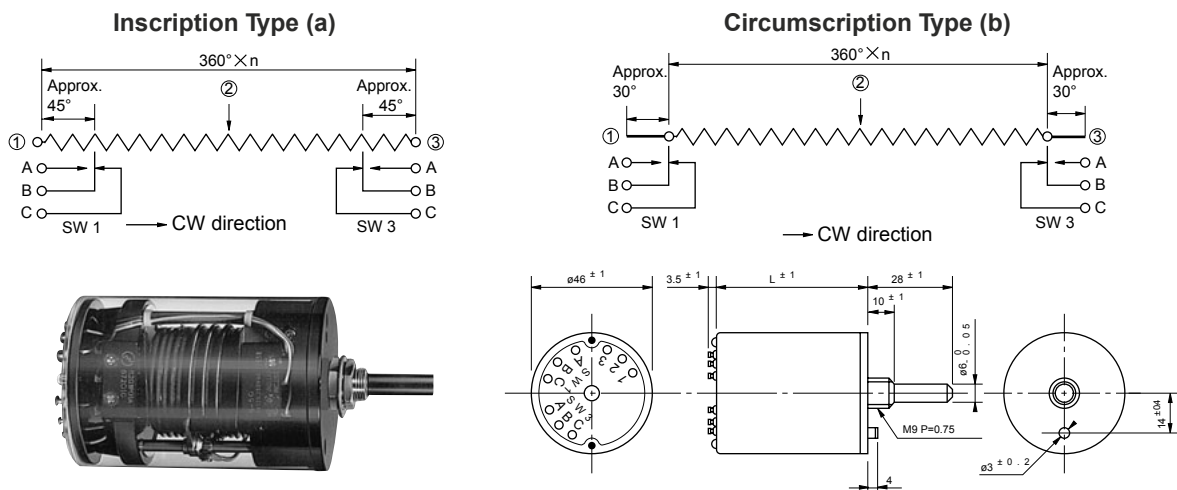
The construction of the Limit-switch is given within in the within figure and its function limit, either upper of lower, or to either side, can be freely determined according to customer's requirement.

Its capacity is 5A, 125 V.A.C. (or 2.5 A, 250 V.A.C.)

This model is most recommended to all kinds of automatic control equipment.

Note. Functioning position of Limit-switch...

In case of this model being coupled to servo-motor, an over-rotation of the servo-motor due to its inertia, after the power source being OFF, may sometimes break the Helicalohm Pot. unless an adequate precaution is made. In order to avoid such failure, two kinds of the Helicalohm Potentiometer with limit-switch are offered: one is an inscription type (a) limit-switch having its function position slightly this side from the stopper of Helicalohm Pot. and the other is a circumscription type (b) for which a special overtravel is prepared in the Helicalohm Pot.



N.B. Unless otherwise specified, we will supply the circumscription type (b).

- Life expectancy of Limit-Switch is up to 50,000 operations
- Outer dimensions of these special versions are the same as those of standard model 46HD Series except its body length which is longer than the latter by 28 mm.
- Electrical and mechanical specifications and mounting dimensions are also the same as those of standard model 46HD series.

ALTHERIS bv

Scheveningseweg 15
2517 KS DEN HAAG
The Netherlands

+31 (0)70 3924421

+31 (0)70 3644249

Offices in : Benelux | Germany | France | UK | Italy | USA

www.altheris.com

sales@altheris.nl

LEADERS IN SENSORS & HEAVY DUTY JOYSTICKS

ALTHERIS
SENSORS & CONTROLS