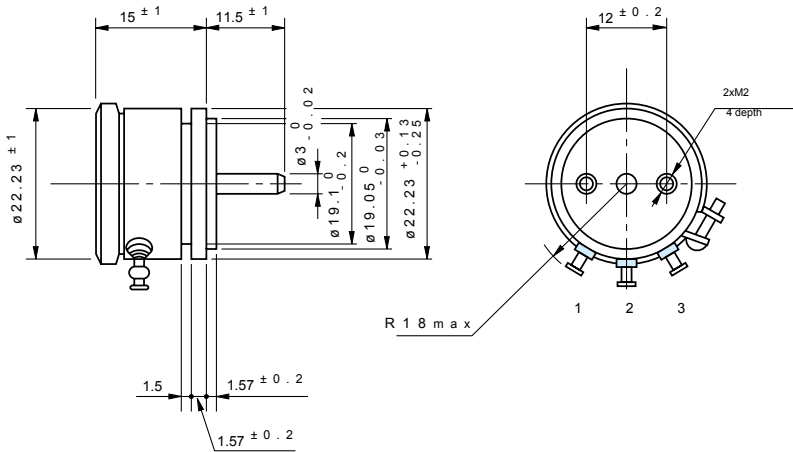




FCP22A

Conductive plastic (Servomount)

Standard dimensions



Model FCP22A

General Specifications

Standard

| | |
|---|---|
| Resistance Values: | 1k, 2k, 5k, 10 k (Ω) |
| Special Practical Resistance Values: | 200, 500, 20k, 50k, 100k (Ω) |
| Total Resistance Tolerance: | Standard Class $\pm 10\%$ (K) |
| Independent Linearity Tolerance: | Standard Class $\pm 1.0\%$ Precision Class $\pm 0.5\%$ Super precision Class $\pm 0.25\%$ |
| Resolution: | Essentially infinite |
| Output Smoothness: | Within 0.1% against input voltage |

Contact Resistance

| | |
|--|---|
| Variation: | Within 2% C.R.V. |
| Power Rating: | 1.0W |
| Electrical Travel: | $320^\circ \pm 5^\circ$ |
| Mechanical Travel: | 360° (Endless) |
| Insulation Resistance: | Over 1,000M Ω at 1,000 V.D.C |
| Dielectric Strength: | 1 minute at 1,000 V.A.C. |
| Starting Torque: | Within 1.5mN·m (15gf·cm) |
| Resistance Temperature Coefficient: | $\pm 400 \text{ p.p.m./}^\circ\text{C}$ |
| Mass: | Approx. 20g |

Special Specifications

Extra taps (available up to 1 tap), multi-ganged (available up to 5 gangs, housing length is extended by 8.5mm per 1 gang), shaft with front and rear extension (rear shaft with 3mm dia. and 10mm length), with stopper (rotating angle becomes 320° and stopper strength is 0.3N·m [3kgf·cm]), special electrical travel, shaft dia. ($\varnothing 3.175 \text{ mm}$) with inch dimensions, special machining on the shaft.

LEADERS IN SENSORS & HEAVY DUTY JOYSTICKS

ALTHERIS bv

Scheveningseweg 15
 2517 KS DEN HAAG
 The Netherlands

+31 (0)70 3924421

+31 (0)70 3644249

Offices in : Benelux | Germany | France | UK | Italy | USA

www.altheris.com

sales@altheris.nl

ALTHERIS
 SENSORS & CONTROLS