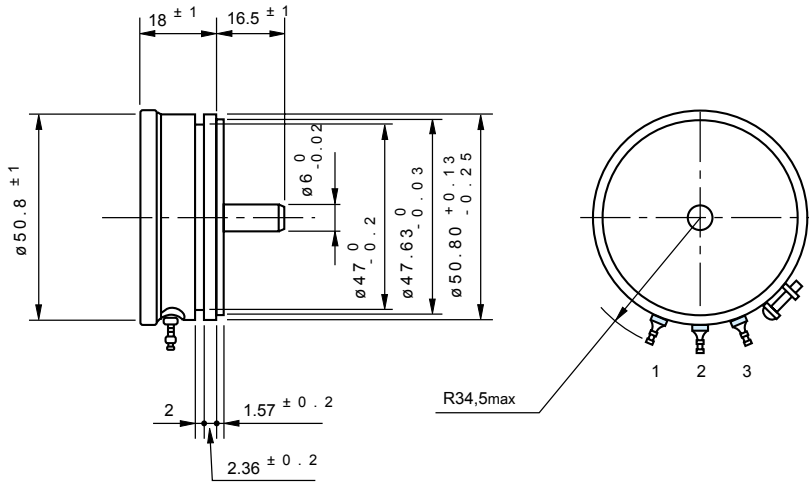




FCP50A

Conductive plastic (Servomount)

Standard dimensions



Model FCP50A

General Specifications

Standard

Resistance Values:	1k, 2k, 5k, 10 k (Ω)
Special Practical Resistance Values:	500, 20k, 50k, 100k, 200k, 500k (Ω)
Total Resistance Tolerance:	Standard Class $\pm 10\%$ (K)
Independent Linearity Tolerance:	Standard Class $\pm 0.5\%$
	Precision Class $\pm 0.2\%$
	Super precision Class $\pm 0.05\%$
Resolution:	Essentially infinite
Output Smoothness:	Within 0.1% against input voltage

Contact Resistance

Variation:	Within 2% C.R.V.
Power Rating:	3.0W
Electrical Travel:	$350^\circ \pm 5^\circ$
Mechanical Travel:	360° (Endless)
Insulation Resistance:	Over 1,000M Ω at 1,000 V.D.C
Dielectric Strength:	1 minute at 1,000 V.A.C.
Starting Torque:	Within 4mN·m (40gf·cm)
Resistance Temperature Coefficient:	± 400 p.p.m./ $^\circ$ C
Mass:	Approx. 80g

Special Specifications Available

Extra taps (available up to 3 taps), multi-ganged (available up to 7 gangs, housing length is extended by 12mm per 1 gang), shaft with front and rear extension (rear shaft with 6mm dia. and 15mm length), with stopper (rotating angle becomes 320° and stopper strength is 0.9N·m [9kgf·cm]), special electrical travel, shaft dia. ($\varnothing 6.35$ mm) with inch dimensions, special machining on the shaft.

LEADERS IN SENSORS & HEAVY DUTY JOYSTICKS

ALTHERIS bv

Scheveningseweg 15
 2517 KS DEN HAAG
 The Netherlands

+31 (0)70 3924421

+31 (0)70 3644249

Offices in : Benelux | Germany | France | UK | Italy | USA

www.altheris.com

sales@altheris.nl

ALTHERIS
 SENSORS & CONTROLS