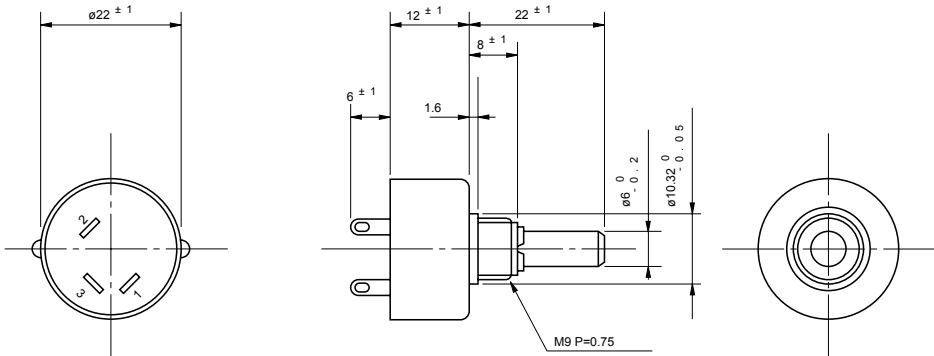




CP22C

Wirewound (Bushingmount) Low cost item

Standard dimensions



**Model CP22C
(Metal Housing)**

- Note:1. 1pc. Each inner teeth washer and hex nut are attached.
 2. Please process the mounting hole on the panel to be mounted with this potentiometer by the diameter of 10.32mm

General specifications

Standard									
Resistance Range:	50Ω to 10kΩ								Within 100Ω E.N.R.
Max. Practical Resistance Value:	20kΩ								355° ±5°
Total Resistance Tolerance:	Standard Class ±3%(H) Precision Class ±1%(F)								360° (Endless)
Independent									Over 1,000MΩ at 1,000 V.D.C
Linearity Tolerance:	Standard Class ±0.5% Precision Class ±0.25% (±0.35% in case of within 1kΩ)								1 minute at 1,000 V.A.C.
Power Rating:	0.5W								Within 5mN·m (50gf·cm)
									Starting Torque:
									Resist. Temperature
									Coefficient of Wire:
									Mass:
									±20p.p.m./°C
									Approx. 30g

Standard Resistance Values | No. of Wire Turns | Resistance Wire Used

Resist. Value (Ω)	50	100	200	500	1k	2k	5k	10k	※ 20k
No. Of wire turns	3 0 0	3 7 0	4 7 0	4 5 0	5 7 0	7 4 0	1 , 0 0 0	1 , 2 7 0	1 , 6 7 0
Resist. Wire used	Cu-Ni System				Ni-Cr System				

Note: Mark # shows value at special higher practical resistance

Special Specifications Available

Lower resistance values (10Ω, 20Ω), extra taps (available up to 1 taps), shaft with front and rear extension (rear shaft with 3mm dia. and 20mm length), with stopper (rotating angle becomes 320° and stopper strength is 0.9N·m [9kgf·cm]), special electrical travel, shaft dia. (ø6.35mm) with inch dimensions, special machining on the shaft.

LEADERS IN SENSORS & HEAVY DUTY JOYSTICKS

ALTHERIS bv

Scheveningseweg 15
 2517 KS DEN HAAG
 The Netherlands

+31 (0)70 3924421

+31 (0)70 3644249

Offices in : Benelux | Germany | France | UK | Italy | USA

www.altheris.com

sales@altheris.nl

ALTHERIS
 SENSORS & CONTROLS