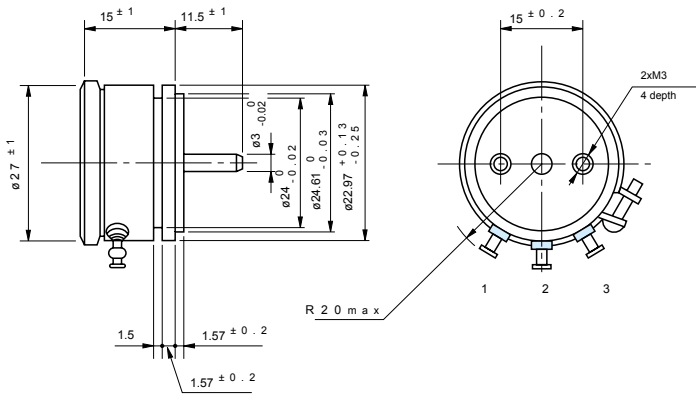




# CP30

## Wirewound (Servomount)

### Standard dimensions



Model CP30

### General Specifications

#### Standard Resistance

<b>Range:</b>	50Ω to 20kΩ
<b>Max. Practical Resistance Value:</b>	50kΩ
<b>Total Resistance Tolerance:</b>	Standard Class ±3%(H) Precision Class ±1%(F)
<b>Independent Linearity Tolerance:</b>	Standard Class ±0.5% Precision Class ±0.15% (±0.2% in case of within 5kΩ)
<b>Power Rating:</b>	0.75W

<b>Noise:</b>	Within 100Ω E.N.R.
<b>Electrical Travel:</b>	355° ±5°
<b>Mechanical Travel:</b>	360° (Endless)
<b>Insulation Resistance:</b>	Over 1,000MΩ at 1,000 V.D.C
<b>Dielectric Strength:</b>	1 minute at 1,000 V.A.C.
<b>Starting Torque:</b>	Within 2mN·m (20gf·cm)
<b>Resist. Temperature Coefficient of Wire:</b>	±20p.p.m./°C
<b>Mass:</b>	Approx. 30g

### Standard Resistance Values | No. of Wire Turns | Resistance Wire Used

Resist. Value (Ω)	50	100	200	500	1k	2k	5k	10k	20k	✱50k
No. Of wire turns	3 1 0	3 9 0	5 0 0	4 2 0	6 0 0	7 7 0	1, 0 9 0	1, 4 0 0	1, 8 0 0	2, 6 7 0
Resist. Wire used	Cu-Ni System				Ni-Cr System					

Note: Mark # shows value at special higher practical resistance

### Special Specifications Available

Lower resistance values (10Ω, 20Ω), extra taps (available up to 3 taps), multi-ganged (available up to 5 gangs. Housing length is extended by 8.5mm per gang), shaft with front and rear extension (rear shaft with 3mm dia. and 10mm length), with stopper (rotating angle becomes 330° and stopper strength is 0.3N·m [3kgf·cm]), special electrical travel, shaft dia. (ø3.175mm) with inch dimensions, special machining on the shaft.

LEADERS IN SENSORS & HEAVY DUTY JOYSTICKS

#### ALTHERIS bv

Scheveningseweg 15  
 2517 KS DEN HAAG  
 The Netherlands

+31 (0)70 3924421

+31 (0)70 3644249

Offices in : Benelux | Germany | France | UK | Italy | USA

www.altheris.com

sales@altheris.nl

**ALTHERIS**  
 SENSORS & CONTROLS