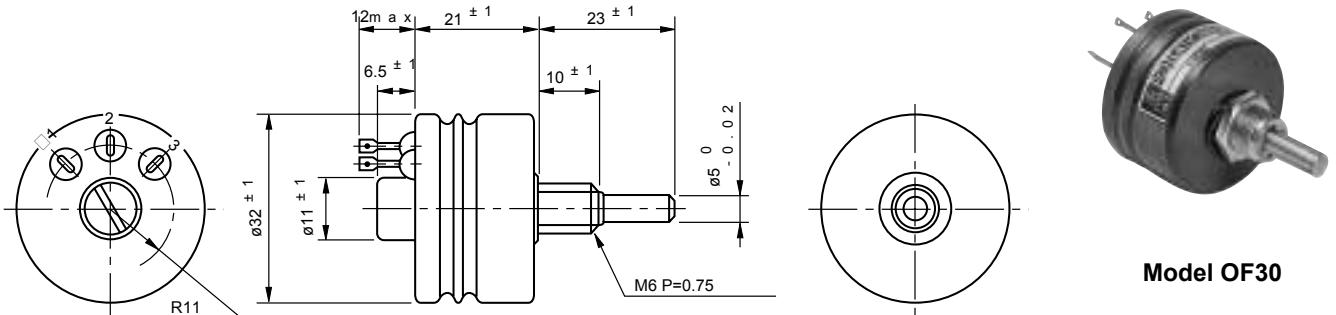




## Model OF30 Wirewound (Bushingmount)

### Standard dimensions



Note: 1 pc. each inner teeth washer and hex nut are attached

### General Specifications

#### Standard Resistance

**Range:** 500Ω to 10kΩ  
**Max. Practical Resistance Value:** 20kΩ  
**Total Resistance Tolerance:** Standard Class ±10% (K)  
 Precision Class ±5% (J)

#### Independent Linearity

**Tolerance:** Standard Class ±2.0%  
 Precision Class ±0.5%

**Power Rating:** 0.75W

**Noise:** Within 100Ω E.N.R.

#### Electrical Travel:

280° ±5°

#### Mechanical Travel:

360° (Endless)

#### Insulation Resistance:

Over 100 MΩ at 1,000 V.D.C.

#### Dielectric Strength:

1 minute at 1,000 V.A.C.

#### Starting Torque:

Within 30mN·m (300gf·cm)

#### Resist. Temperature

#### Coefficient of Wire:

±20p.p.m./°C

#### Mass:

Approx. 40g

### Standard Resistance Values | No. Of Wire Turns | Resistance Wire Used

Resist. Value (Ω)	500	1k	2k	5k	10k	※20k
No. of wire turns	4 0 0	5 0 0	6 5 0	9 0 0	1, 1 0 0	1, 5 0 0
Resist. wire used	Ni-Cr System					

Note: Mark ※ shows value at special higher practical resistance

### Special Specifications Available

Lower resistance values (50Ω to 200Ω), extra taps (available up to 1 tap), special electrical travel, shaft dia. (ø 3.175mm) · bushing with inch dimensions, special machining on the shaft, with stopper (rotating angel becomes 300° and stopper strength is 0.3N·m [3kgf·cm]).

#### ALTHERIS bv

Scheveningseweg 15  
 2517 KS DEN HAAG  
 The Netherlands

+31 (0)70 3924421

+31 (0)70 3644249

Offices in : Benelux | Germany | France | UK | Italy | USA

www.altheris.com

sales@altheris.nl

LEADERS IN SENSORS & HEAVY DUTY JOYSTICKS

**ALTHERIS**  
 SENSORS & CONTROLS