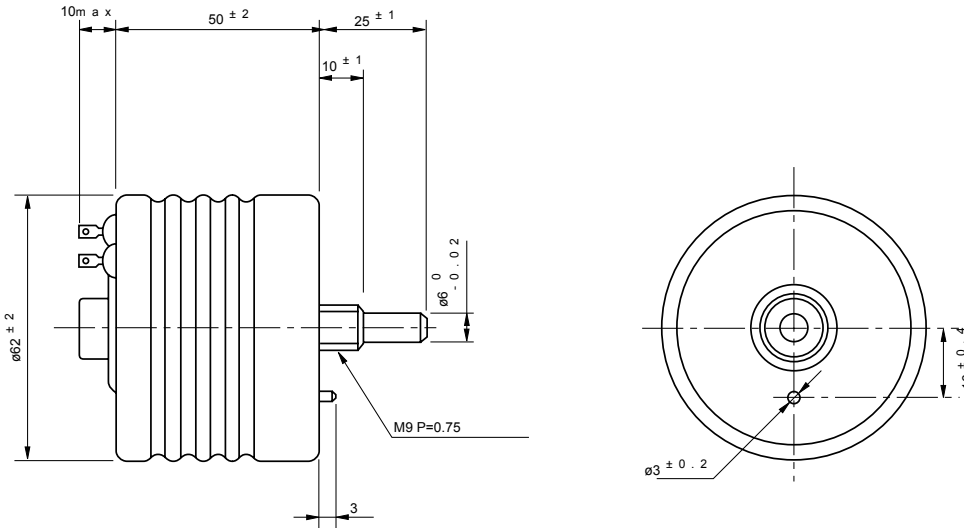




# Model OF50

## Wirewound (Bushingmount)

### Standard dimensions



Model OF50

Note: 1 pc. each inner teeth washer and 2 pcs. hex nut are attached

### General Specifications

<b>Standard Resistance Range:</b>	100Ω to 20kΩ	<b>Electrical Travel:</b>	280° ±5°
<b>Max. Practical Resistance Value:</b>	50kΩ	<b>Mechanical Travel:</b>	300° ±5°
<b>Total Resistance Tolerance:</b>	Standard Class ±10% (K) Precision Class ±5% (J)	<b>Insulation Resistance:</b>	Over 100MΩ at 1,000 V.D.C.
<b>Independent Linearity Tolerance:</b>	Standard Class ±1.0% Precision Class ±0.5%	<b>Dielectric Strength:</b>	1 minute at 1,000 V.A.C.
<b>Power Rating:</b>	0.5W	<b>Starting Torque:</b>	Within 30mN·m (300gf·cm)
<b>Noise:</b>	Within 100Ω E.N.R.	<b>Stopper Strength:</b>	Approx. 0.9N·m (9kgf·cm)
		<b>Resist. Temperature Coefficient of Wire:</b>	±20p.p.m./°C
		<b>Mass:</b>	Approx. 300g

### Standard Resistance Values | No. Of Wire Turns | Resistance Wire Used

Resist. Value (Ω)	100	200	500	1k	2k	5k	10k	20k	※50k
No. of wire turns	2 6 0	3 2 0	3 7 0	4 2 0	5 5 0	6 5 0	9 0 0	1, 0 0 0	1, 2 0 0
Resist. wire used	Cu-Ni System					Ni-Cr System			

Note: Mark ※ shows value at special higher practical resistance

### Standard Specifications Available

Extra taps (available up to 1 tap), multi-ganged (available up to 2 gangs), special electrical travel, shaft dia. (ø 6.35mm) · bushing with inch dimensions, special machining on the shaft, without stopper (electrical travel remains 280° ±5°, shaft with front and rear extension (rear shaft with 6mm dia. and 25mm length).

LEADERS IN SENSORS & HEAVY DUTY JOYSTICKS

#### ALTHERIS bv

Scheveningseweg 15  
 2517 KS DEN HAAG  
 The Netherlands

+31 (0)70 3924421

+31 (0)70 3644249

Offices in : Benelux | Germany | France | UK | Italy | USA

www.altheris.com

sales@altheris.nl

