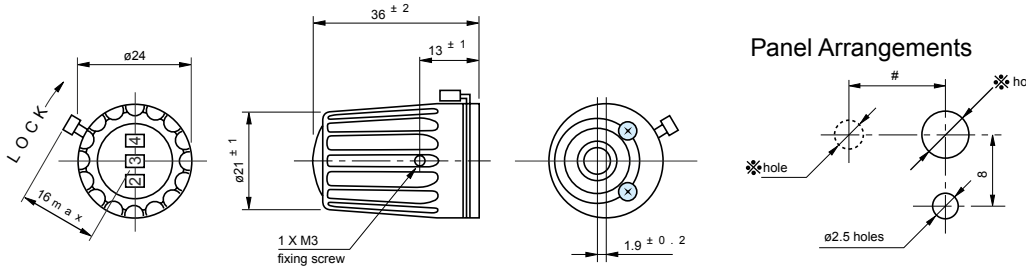




# DA10-24B

## Standard dimensions



**Model DA10-24B**

- Note: 1. The dimensions of mark※are determined by the pot. To be mounted.  
 2. 1pc. each of mounting adaptor and the hexagonal wrench are attached

## General Specifications

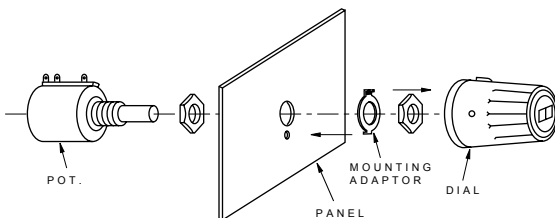
Model No		Matching Shaft Dia. (mm)		Combinable Helicalohm Pot. (Matching shaft length of 25mm)		Lock Device	Operating Temperature Range	Mass (Approx. g)
		Standard	Special	20HP 25HP	46HD 20HHP			
DA10-24B	1 0	6	6.35			YES	-30 °C ~ +85 °C	40

- Note: 1. Standard color of knob is black  
 2. In case of using the combination of model 46HD, please specify the shaft length of model 46HD as 25mm (standard shaft length of model 46HD is 28mm).

## Special Specifications available

Knob in white color, specially marked in face plate such as with a decimal point, comma, etc. DA dial without lock device.

## How to mount DA Series



The mounting adaptor of Model DA Series Digital Counting Dial and the Helicalohm pot. are fixed on the panel according to the illustration given left. The shaft of the Helicalohm pot. is turned anti-clockwise to its limit and is put into the mounting hole of the dial which was already set at "000". The shaft of the Helicalohm pot. is secured by the screw positioned at the knob of the dial with the attached hexagonal wrench. With this, the mounting is completed.

### CAUTION:

Do not rotate the fixing screw over 180° with the hexagonal wrench when removing Helicalohm pot. from model DA Series Digital Counting Dial. Otherwise, inner neighbouring plastic gear may be damaged.

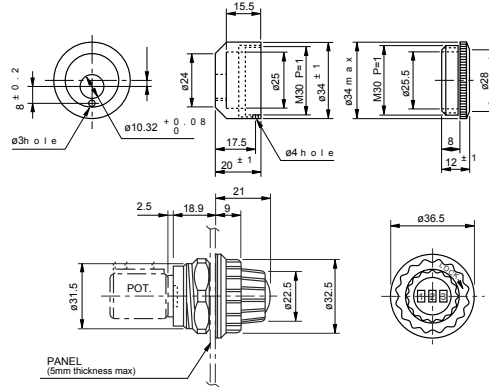
## ■ Recessed mounting adaptor

The following 2 kinds of Recessed Mounting Adaptors are available on option in Model DA dial.  
When using this recessed mounting adaptor, please place an order for the potentiometer, digital turns-counting dial and recessed mounting adaptor in one set for assembling them at Altheris and it will be supplied in one unit.

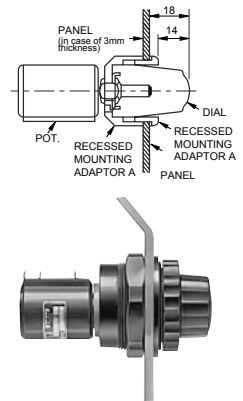
**Adaptor A (without lock device)**



**Adaptor B (with lock device)**



**How to mount**



Note: 1 pc. each of mounting nut and rubber washer are attached.

### ALTHERIS bv

Scheveningseweg 15  
2517 KS DEN HAAG  
The Netherlands

+31 (0)70 3924421

+31 (0)70 3644249

Offices in : Benelux | Germany | France | UK | Italy | USA

[www.altheris.com](http://www.altheris.com)

[sales@altheris.nl](mailto:sales@altheris.nl)

LEADERS IN SENSORS & HEAVY DUTY JOYSTICKS

**ALTHERIS**  
SENSORS & CONTROLS