



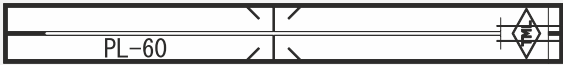
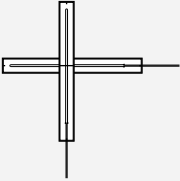
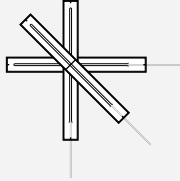
Series "P" Polyester Wire Strain Gauge



Compatible adhesive & Operational temperature
 CN-E: -20~+80°C
 RP-2: -20~+80°C

Operational temperature -20~+80°C
 Temperature compensation range +10~+80°C
 Quarter bridge with 3-wire system is usable to avoid an unexpected effect of resistance change with temperature.

CONCRETE, MORTAR, ROCK MATERIALS USE

Gauge pattern	Type	Gauge size		Backing		Resistance in Ω						
		L	W	L	W							
<p>This is a wire strain gauge having polyester resin backing. It is mainly used for measurement on concrete, mortar or rock.</p> <p>●Single-element (G.F. 2.1 approx.)</p>  <p>PL-60-11</p>							L : length		W : width (Unit mm)			
<p>●90°2-element Cross (G.F. 2.1 approx.)</p>  <p>PLC-60-11 (x1/4)</p>							<p>Single-element</p> <p>PL-60-11 60 1 74 8 120</p> <p>PL-90-11 90 1 105 8 120</p> <p>PL-120-11 120 1 135 8 120</p>		<p>90° 2-element Cross</p> <p>PLC-60-11 60 1 74 74 120</p>			
<p>●45°/90°3-element Rosette (G.F. 2.1 approx.)</p>  <p>PLR-60-11 (x1/4) (G.F. 2.1 approx.)</p>							<p>45° /90° 3-element Rosette</p> <p>PLR-60-11 60 1 74 74 120</p>					
Each package contains 10 gauges.												

Leadwire-integral P series

This gauge has a pre-attached vinyl lead wire to P series. Works for lead wire connection such as strain gauge terminal installation and lead wire soldering are not required. It saves much time and labor.

- Single-element (G.F. 2.1 approx.)
- 0.11mm² integral vinyl leadwire**
- Total leadwire resistance per meter : 0.32Ω**

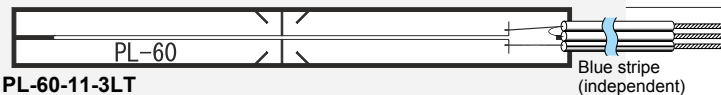
2-wire system



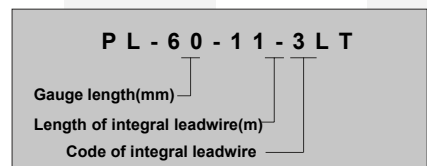
PL-60-11-1L

PL-60-11		60	1	74	8	120
PL-90-11	-1L	90	1	105	8	120
	-3L					
	-5L					
PL-120-11	-3LT	120	1	135	8	120
	-5LT					

3-wire system



PL-60-11-3LT



Each package contains 10 gauges.
 Leadwire-integral service is not available with 2-element, 3-element gauge of P series.

LEADERS IN SENSORS & HEAVY DUTY JOYSTICKS

ALTHERIS bv

Scheveningseweg 15
 2517 KS DEN HAAG
 The Netherlands

+31 (0)70 3924421

+31 (0)70 3644249

Offices in : Benelux | Germany | France | UK | Italy | USA

www.altheris.com

sales@altheris.nl

ALTHERIS
 SENSORS & CONTROLS