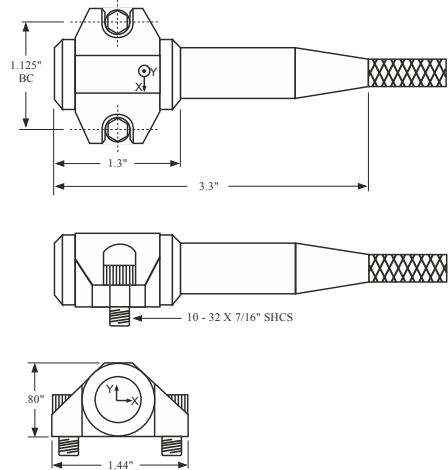




Features

- Rugged
- General purpose underwater accelerometer
- Industrial
- Easy to mount
- Bi-axial measurements



Model 757

Bi-axial, low profile, underwater accelerometer

Dynamic

Sensitivity, ±10%, 25°C.....	100 mV/g
Acceleration range	50 g peak
Amplitude nonlinearity.....	1%
Frequency response:	
Both channels, ±10%.....	2 - 2,000 Hz
Transverse sensitivity, max.....	5% of axial
Temperature response:	
-20°C.....	-5%
+90°C.....	+5%

Electrical

Power requirement: voltage source.....	18 - 30 VDC
current regulating diode	2 - 10 mA
Electrical noise, equiv. g, nominal:	
Broadband 2.5 Hz to 25 kHz.....	100 µg
Spectral 10 Hz.....	10 µg/√Hz
100 Hz.....	1 µg/√Hz
1000 Hz.....	0.5 µg/√Hz
Output impedance, max.	100 Ω
Bias output voltage, nominal.....	12 VDC
Grounding.....	case isolated, internally shielded

Environmental

Temperature range	-50 to 80°C
Hydrostatic pressure, max.....	650 psi
Vibration limit.....	500 g peak
Shock limit	5000 g peak
Electromagnetic sensitivity, equiv. g.....	100 µg/gauss
Base strain sensitivity.....	0.002 g/µstrain

Physical

Weight	110 grams
Case material	316L stainless steel
Mounting	Two 10-32 x 7/16 SHCS on 1.125 bolt circle
Recommended cable.....	J81S, 10 ft., 2 conductor shielded, polyurethane jacket, stainless steel braid

Connector	Function
White	x
Black	y
Shield	common

Accessories supplied: Two 10-32 x 7/16 SHCS; calibration data
Accessories available: Power supplies, amplifiers, signal conditioners