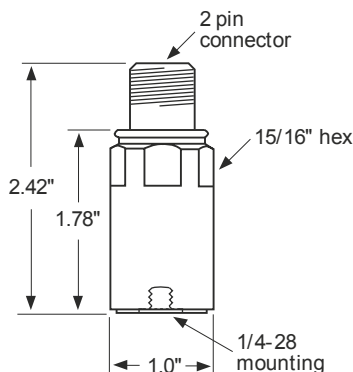


Model 793V Series Piezoelectric velocity



Features:

- Intrinsic safety certified (options for Model 793V, consult factory)
- Industrial ruggedness
- Eliminates distortion caused by high frequency signals
- Corrosion-resistant
- Internally integrated to velocity
- Ultra low-noise electronics for clear signals at very low vibration levels
- Reverse wiring protection



Models	793V	793V-5	Units
Dynamic			
Sensitivity, $\pm 10\%$, 25°C.....	100	500	mV/in/sec
Velocity range.....	50	10	in/sec peak
Amplitude nonlinearity.....	2.5%	5%	
Frequency response:			
$\pm 10\%$	3.0 - 3,500	8.0 - 3,500	Hz
± 3 dB.....	2.5 - 7,000	5.0 - 7,000	Hz
Resonance frequency, mounted, nom.....	15	15	kHz
Transverse sensitivity, max.....	5% of axial	5% of axial	
Temperature response			
- 50°C.....	- 5%	-	
5% +80°C.....	+3%	+3%	
Electrical			
Power requirement: voltage source.....	18 - 30	18 - 30	VDC
current regulating diode ¹	2 - 10	2 - 10	mA
Electrical noise, equiv. in/sec, nominal:			
Broadband 2.5 Hz to 25 kHz.....	100	40	$\mu\text{in/sec}$
Spectral 10 Hz.....	10	4.0	$\mu\text{in/sec}/\sqrt{\text{Hz}}$
100 Hz.....	1.0	0.4	$\mu\text{in/sec}/\sqrt{\text{Hz}}$
1000 Hz.....	0.2	0.05	$\mu\text{in/sec}/\sqrt{\text{Hz}}$
Absolute phase shift, nom. the greater of:.....	$\tan^{-1} 2/f$ or 2°	$\tan^{-1} 5/f$ or 2°	
Output impedance, nominal 4mA supply, the greater of:.....	5,000 or 200	25,000 or 200	/f Ω
Bias output voltage, nominal.....	10	10	VDC
Grounding.....	case isolated, internally shielded	case isolated, internally shielded	
Environmental			
Temperature range.....	- 50 to 120°C	- 50 to 120°C	
Vibration limit.....	250	250	g peak
Shock limit.....	2,500	2,500	g peak
Electromagnetic sensitivity, equiv. in/sec.....	25	25	$\mu\text{in/sec/gauss}$
Sealing.....	hermetic	hermetic	
Base strain sensitivity.....	0.0005	0.0005	in/sec/ μstrain
Physical			
Weight.....	145 grams	145 grams	
Case material.....	316L stainless steel	316L stainless steel	
Mounting.....	1/4 - 28 tapped hole	1/4 - 28 tapped hole	
Output connector.....	MIL-C-5015, 2-pin style	MIL-C-5015, 2-pin style	
Connections			
Pin A.....	signal, power	signal, power	
Pin B.....	common	common	
Mating connector.....	R6 (Amphenol 97-3106A-10SL-4S)		
Recommended cable.....	J9T2		

Notes: ¹A maximum current of 6 mA is recommended for operating temperatures in excess of 100 °C.
Options: Intrinsic safety certifications for model 793V; stainless steel flexible hose; temperature sensor (793VT),

customer specified sensitivity, low frequency filtering, cable length, connector.

Accessories supplied: SF6 mounting stud, calibration data.

Accessories available: R6SL-J9T2-XX splash-proof cable assembly, magnetic mounting

bases, SF8 cementing studs, power supplies, amplifiers, signal conditioners.