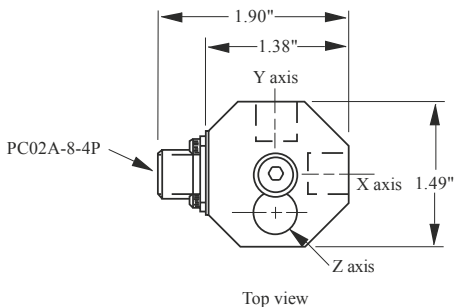


Model 993A General purpose, triaxial accelerometer

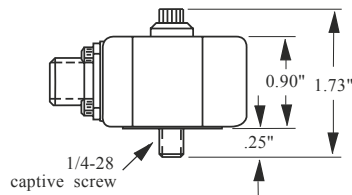


Features

- Rugged design
- Easy to mount



Top view



Side view

Dynamic

Sensitivity, $\pm 10\%$, 25°C.....	100 mV/g
Acceleration range	50 g peak
Amplitude nonlinearity.....	1%
Frequency response:	
all channels, $\pm 10\%$	2 - 2,000 Hz
Transverse sensitivity, max.....	5% of axial
Temperature response.....	-50°C +10%
	+25°C +0%
	+80°C +3%
	-120°C -7%

Electrical

Power requirement: voltage source.....	18 - 30 VDC
current regulating diode	2 - 10 mA
Electrical noise, equiv. g:	
Broadband 2.5 Hz to 25 kHz.....	150 μ g
Spectral 10 Hz.....	20 μ g/ $\sqrt{\text{Hz}}$
100 Hz.....	2 μ g/ $\sqrt{\text{Hz}}$
1000 Hz.....	0.6 μ g/ $\sqrt{\text{Hz}}$
Output impedance, max.	100 Ω
Bias output voltage.....	12 VDC
Grounding.....	case isolated, internally shielded

Environmental

Temperature range	-50 to 120°C
Vibration limit.....	500 g peak
Shock limit	5,000 g peak
Electromagnetic sensitivity, equiv. g.....	100 μ g/gauss
Sealing	Epoxy
Base strain sensitivity.....	0.0005 g/ μ strain

Physical

Sensing element design.....	PZT ceramic / shear
Weight	88 grams
Case material	hardcoated aluminum
Mounting	1/4-28 captive socket head screw
Output connector	4 pin, Bendix PC02A-8-4P
Mating connector	R9W
Recommended cabling.....	J9T4

Connector pin	Function	Cable conductor color
Shell	N/C	shield
A	axis Y, power / signal	green
B	axis X, power / signal	red
C	axis Z, power / signal	white
D	common (all channels)	black

Accessories supplied: #11714-09 captive screw
(International customers specify mounting requirements);
calibration data (level 2)